

Model Shown:
SJ2010, SJ3010



Features

ONE OF THE MOST DURABLE MONO-STRAND JACKS IN THE INDUSTRY.

- Ideally suited for work on slab-on-grade where dirt, heat and high volume use take their toll.
- Available in single or double-acting models.
- Standard single-acting units have a 254 mm stroke.
- Standard double-acting units have an 152,4 mm stroke.
- Service repair is simple and components are long lasting and easily replaced.
- 76,2 mm detachable seater nose assembly easily replaced with optional 152,4 mm nose assembly.
- The jack of choice for high-rise and elevated work, thanks to fast return time and light weight.
- All hydraulic fluid controls are internal for more efficient and safer operation during tensioning and retraction.



Optional Dead-end Seater

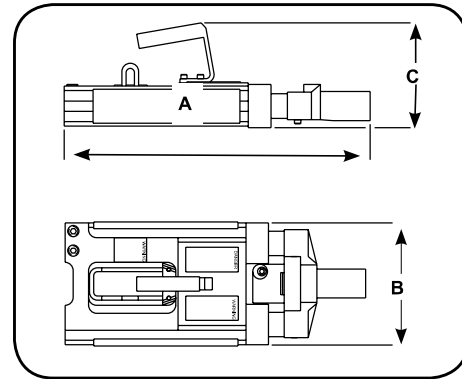
Dead-end seaters for production work and field work available on special order. (Part #400120)

Multi-strand post-tensioning application



► **Technical Dimensions**

Order No.	A (mm)	B (mm)	C (mm)	Wt. (kg)
SJ2010	533,4	228,6	152,4	24,9
SJ2010P	558,8	259,2	177,8	34,5
SJ3010	558,8	259,2	177,8	34,5
SJ3010P	558,8	259,2	177,8	34,5
SJ2010DA	457,2	177,8	152,4	19,1
SJ3010DA	457,2	203,2	152,4	23,6



► **Ordering Information**

Order Number	Cap. (tons)	Stroke (mm)	Oil Cap. (l)	Strand Dia. (mm)	Seater Type (mm)	Int. Press. at Cap. (mm)	Metric Tons at 700 bar	Description	Recommended Pumps for this Stressing Jack	Prod. Wt. (kg)
SJ2010	20	254	0,7	11,1 - 12,7	Spring	227,3	20,3	Post-tension jack with spring, seater 12,7 mm strand.	PE554P/PE604T	25
SJ2010P	20	254	0,7	11,1 - 12,7	Power	227,3	20,3	Post-tension jack with power seater, 12,7 mm strand.	PE554PT/PE604PT	25
SJ2010DA	20	216	0,9	11,1 - 12,7	Power	192,4	23,9	Double-acting post-tension jack with power seater, 12,7 mm strand.	PE554PT/PE604PT	19
SJ3010	30	254	1,0	11,1 - 15,2	Spring	242,5	28,5	Post-tension jack with spring seater, 15,2 mm strand.	PE554P/PE604T	34,5
SJ3010P	30	254	1,0	11,1 - 15,2	Power	242,5	28,5	Post-tension jack with power seater, 15,2 mm strand.	PE554PT/PE604PT	34,5
SJ3010DA	30	216	1,1	11,1 - 15,2	Power	191,87	36,0	Double-acting post-tension jack with power seater, 15,2 mm strand.	PE554PT/PE604PT	23,6

STRESSING JACK ACCESSORIES AND HOSES

Used with Stressing Jack	76,2 mm Nose Piece #	76,2 mm Wedge Seater #	152,4 mm Nose Piece	152,4 mm Wedge Seater #	9,5 mm Dia. Gripper Set #	11,1 mm Dia. Gripper Set #	12,7 mm Gripper Set #	15,2 mm Gripper Set #	Replacement Gripper Handle #	Gripper Retainer Plate # (2 used)
SJ2010	252564	252562	252759	252763	252568	252761	252567	NA	252570	252565
SJ2010P	252564	252562	252759	252763	252568	252761	252567	NA	252570	252565
SJ2010DA	252543	252542	252760	252764	252650	252762	252555	NA	252556	252544
SJ3010	252564	252562	252759	252763	252568	252761	252567	252569	252570	252565
SJ3010P	252564	252562	252759	252763	252568	252761	252567	252569	252570	252565
SJ3010DA	253363	253361	253364	253362	253390	NA	253391	253365	252556	252544