

Model Shown:

PE55TWP, PE55TWP-4



Features

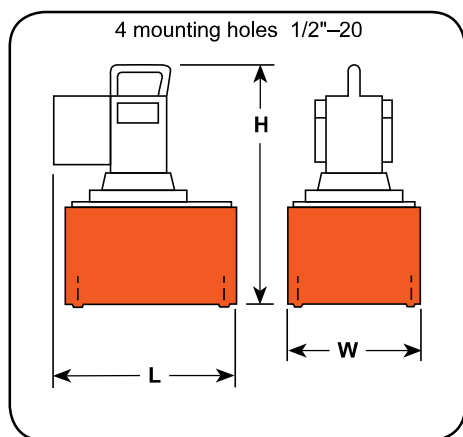
VANGUARD® ELECTRIC HYDRAULIC TORQUE WRENCH PUMPS.

- Two-speed high-performance pump.
- External adjustable pressure regulator
- Retract side internal relief valve protects tool.
- Hand remote control with 6,1 m. cord.
- Use for single or double-acting tools.
- Four-tool manifold allows use of up to four tools simultaneously.



CAUTION

THIS PUMP SHOULD NOT BE USED FOR LIFTING APPLICATIONS, IT'S DESIGN FOR TORQUE WRENCH APPLICATIONS ONLY.



Ordering Information

Order No.	Width (mm)	Length (mm)	Height (mm)	Electric Motor (12000 rpm)	Oil Delivery (l/min.)	Oil Reservoir Cap. (l)	Usable Oil (l)	Prod. Wt. (kg)
PE55TWP	435	241	460	0,84 Kw		9,5	8,4	34,0
PE55TWP-E110*	470	241	460	110V / 50Hz, 25 amps	11,5 @ 7 bar 0,9 @ 700 Bar	9,5	8,4	34,0
PE55TWP-E220*	470	241	460	220V / 50Hz, 13 amps		9,5	8,4	34,0
PE55TWP-4	470	241	486	0,84 Kw		9,5	8,4	35,4
PE55TWP-4-E110*	470	241	486	110V / 50Hz, 25 amps	11,5 @ 7 bar 0,9 @ 700 Bar	9,5	8,4	35,4
PE55TWP-4-E220*	470	241	486	220V / 50Hz, 13 amps		9,5	8,4	35,4

* CE Approved - designed for 50 Hz applications