

Model Shown:
PH553C



ENFORCER 55

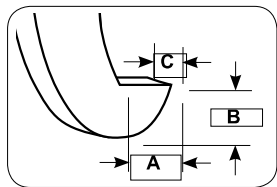
- 1 Puller can be assembled in 2 or 3-jaw configurations.
- 2 Hydraulically-actuated jaws allows cylinder to move in or out with a safe, secure grip on workpiece.
- 3 Hydraulic lift system for easy, precise position of puller.
- 4 Unique dual pump arrangement. Low pressure pump positions, holds and opens jaws. The high pressure pump advances and retracts the pushing cylinder without releasing clamped jaws.
- 5 Swivel casters give ease of mobility.
- 6 Large wheels make movement of cart easy.
- 7 Super Lock-Jaw™ feature means the harder the pull, the tighter the puller jaws grip. No chains or cages required to keep puller jaws from slipping or springing off the part being pulled.
- 8 Guards at pinch points protect operator.
- 9 Puller can be mounted on cart 90 degrees to right or left of puller cart centerline, permitting use in tight quarters, such as between machinery.
- 10 Self-centering design puller jaws will automatically grip work evenly.
- 11 Choice of cylinder with a 169 mm or 337 mm stroke.

Pushing Adapters

Order No.	Qty. *	A (mm)	B (mm)
251002	1	69,9	69,9
350593 **	2	69,9	152,4
350594	1	69,9	76,2
350637	1	69,9	254,0

* Number of adapters supplied with each Enforcer.
** Only 1 for units with 13.25" stroke.

IMPORTANT SAFETY INFORMATION: Power Team recommends the use of protective blankets for all pushing operations. For ease of visual clarity, we have shown the pusher application photos without these safeguards.



Ordering Information

Order No.	Puller Jaw Tip			Min. Spread (mm)	Reach Min. Spread (mm)	Max. Spread (mm)	Reach Max. Spread (mm)	Overall Length * (mm)	Cyl. Stroke (mm)	Power Source Requirements (mm)	Prod. Wt. (kg)
	A (mm)	B (mm)	C (mm)								
PH553C-E220	22,4	31,8	47,8	101,6	559	1,219	356	2,286	159	230 V, 50 Hz, 15 Amp Capacity	339
PH553C13-E220	22,4	31,8	47,8	101,6	381	1,219	178	2,286	337	230 V, 50 Hz, 15 Amp Capacity	352
PH553CL-E220	22,4	31,8	47,8	63,5	829	1,149	737	2,591	159	230 V, 50 Hz, 15 Amp Capacity	366
PH553C13-E220	22,4	31,8	47,8	63,5	651	1,149	559	2,591	337	230 V, 50 Hz, 15 Amp Capacity	379

* Cart and Puller (cart width = 813 mm)

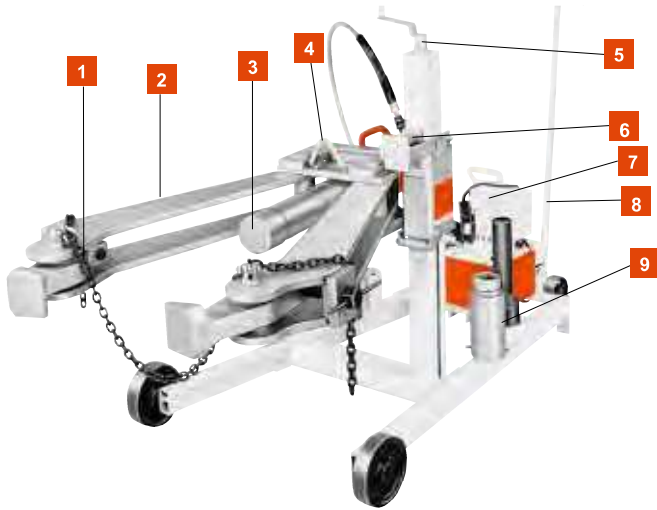
Conversion Kit

Conversion Kit No. 251468. Kit converts PH553C series to PH553CL series. Jaws are 305 mm longer. Kit contains three jaws and six straps with guards. Wt., 114 kg.



Note: Four cylinder extensions (not pictured) are included. The included lifting eyes (not pictured) permit use of an overhead crane to raise entire assembly.

Model Shown:
PH1002

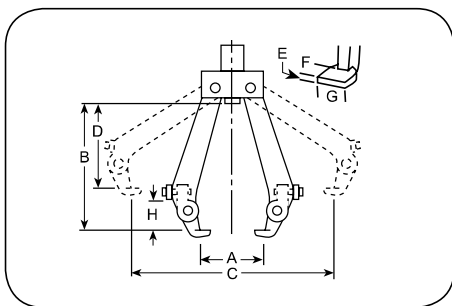


ENFORCER 100

- 1 Adjustable jaws mean they always pull on a flat surface. Retaining chain holds jaws in place during positioning.
- 2 Lock-Jaw™ feature means jaws grip progressively tighter as more pulling force is applied.
- 3 100 ton hydraulic cylinder is single-acting, spring return type with a maximum working pressure of 700 bar.
- 4 Lifting bracket allows puller to be lifted if the workpiece center is more than 914 mm off the floor.
- 5 Adjusting screw allows operator to move vertical position of the puller.
- 6 Spring loaded feature means Enforcer 100 will align itself on uneven pulls.
- 7 Hydraulic pump is a 2-stage, high pressure unit controlled by remote hand switch with 7,6 m cord.
- 8 Tow bar provides puller with plenty of mobility.
- 9 Pushing adapters have a diameter of 105 and 63,5 mm.



An ideal puller for steel mills, mines, oil fields, utility projects, paper mills, construction sites, railroads, airline shops, shipyards or anywhere else where large equipment and machinery pose tough maintenance challenges.



► **Ordering Information**

Order No.	Min. Spread	Reach Min. Spread	Max. Spread	Reach Max. Spread	Puller Jaw Tip			Max. Thick. Workpiece	Vertical Stroke Adjust.	Overall Length	Max. Thickness Workpiece	Wheel Dia.	Power Source Requirements					
					A	B	C							D	E	F	G	H
					(mm)	(mm)	(mm)											(mm)
PH1002-E110	381	1067	1219	864	25,4	57,1	127	260	305 - 914	2388	305	260	220 V, 50 Hz, 13 Amp Capacity					
PH1002J																		

Ram Extensions							
Order No.	Adapter Type	Amount included w/puller	J (mm)	K (mm)	L (mm)	M (mm)	N (mm)
44745	Push	1	105	—	343	63,5	—
44766	Ext.	4	105	—	—	—	203
303045	Push	1	105	79,4	—	—	—

“ENFORCER 100” UNIVERSAL PULLER	
Order No.	Description
PH1002-E220	100 ton, 2-jaw universal hydraulic puller. Includes: 2-jaw Grip-O-Matic® puller, PE552S-E220 2-speed electric/hydraulic power unit, C10010C 100 ton hydraulic cylinder with 260 mm stroke and six adapters. Wt., 404 kg.
PH1002J-E220	Same as PH1002-E220, but without hydraulic power unit. Wt., 404 kg.
PE552S-E220	Pump only. 0,84 kW, 220 volt, 50 Hz, single phase, draws 13 amps at full load.

Note: Also available in E110

Pullers