

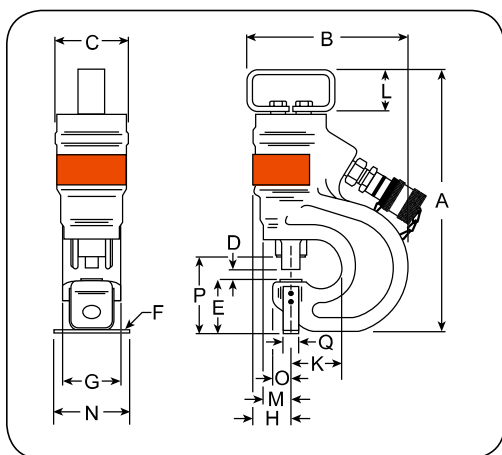
Model Shown:
HP35S



Features

- Punch smooth, precise holes in seconds. Much faster than drilling.
- Fully portable for construction, maintenance and service applications, or can be mounted on a workbench for production jobs.
- Has carrying handle for precise locating.
- Rugged, forged steel C-Frame for great strength and durability.
- Dual-action, spring-loaded stripper holds material during punching operation, strips material from punch on return. Scribe lines on stripper aid in locating the punch.

Tools



Recommended Products

The PE172 electric/hydraulic pump is an ideal power source, which is included in item # HP35SP.

Technical Dimensions

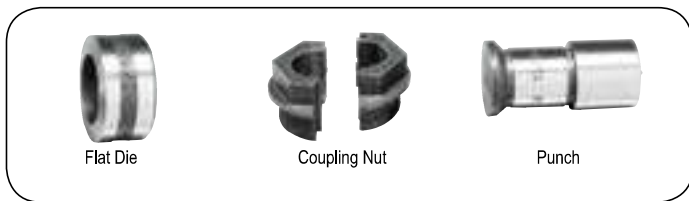
Order No.	Cap. (ton)	Max. Oper. Press. (bar)	Oil Cap. (cm ³)	Max. Material Thickness (mm)	A (mm)	B (mm)	C (mm)	D (mm)	E (mm)	F (mm)	G (mm)	H (mm)	K (mm)	L (mm)	M (mm)	N (mm)	O (mm)	P (mm)	Q (mm)
HP35	35	700	75	12,7	349	229	95	15	73	6	76	46	71	57	38	89	22	102	19

Model Shown:
HP35SP



► **Ordering Information**

Order No.	Description	Prod. Wt. (kg)
HP35	Punch only, includes metal case and die change tools.	19
HP35S	Punch with punches and dies. Includes HP35 punch, metal case and 250459 punch/die set.	20
HP35P-220	Punch set with pump. Same as HP35SP, but does not include punch/die set.	39
HP35SP-220	Punch set with pump. Includes HP35 punch, PE172-E220 electric/hydraulic pump, 9756E hose, 9798 hose half coupler, 250459 punch/die set, metal case.	40
250459	Punch/die set for round holes. Includes one each: PD437 11,1 mm punch/die, PD562 14,3 mm punch/die, PD688 17,5 mm punch/die, PD812 20,6 mm punch/die.	0,7



Flat Die



Coupling Nut



Punch

Optional Coupling Nut Wrench

	Order No.	Description
	252000	Makes punch/die changes easier without "rounding-off" coupling nuts. Wt., 0,3 kg.

PUNCH / DIE SETS FOR HP35 HYDRAULIC PUNCHES

Punch Size (mm)	Punch Style	Hole Dia. (mm)	Punch with Flat Die Set	Punch with Bevel Die Set
6,4	○ Round	6,4	—	—
7,9		7,9	PD313	—
9,7		9,7	PD375	PD375B
11,2		11,2	PD437	PD437B
13,5		13,5	PD531	PD531B
14,2		14,2	PD562	PD562B
17,5		17,5	PD688	—
19,8		19,8	PD781	—
20,6		20,6	PD812	—