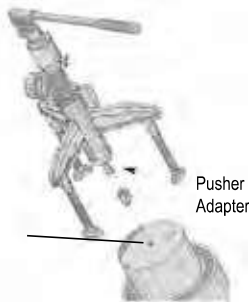


Model Shown:

**PHP8H, PHP8R**



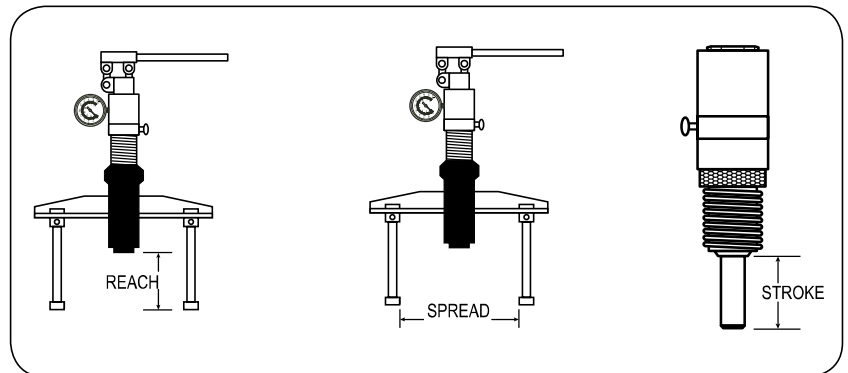
**Features**

**IDEAL FOR INSTALLING A WIDE VARIETY OF PRESS-FIT PARTS.**

- Power Team pushers have been rigorously tested for top performance and reliability at maximum capacity.
- These pushing systems are covered by Power Team's exclusive PowerThon™ Limited Lifetime Warranty — assuring you of the highest quality and reliability.

**BEARING PUSHER KITS**

- Portable pushing kits include an external Lock-Jaw™ puller, an internal puller, hydraulic cylinder, and a tri-section pulling attachment, all in one compact, lightweight unit complete with carrying case.



**Ordering Information**

Order No.	Description	Cylinder Cap. (ton)	Reach (mm)	Spread (mm)	Stroke (mm)	Weight with Case (kg)
PHP8H	Manual-Hydraulic Pusher	8	55 - 385	58 - 270	82	33,5
PHP8R	Remote Hydraulic Pusher	8	55 - 385	58 - 270	82	33,0
PHP8H-1	Manual-Hydraulic	8	55 - 385	58 - 270	82	53,0
PHP8R-1	Remote Hydraulic Pusher/Puller Kit	8	55 - 385	58 - 270	82	52,0



**IMPORTANT SAFETY INFORMATION:** Power Team recommends the use of protective blankets for all pushing operations. For ease of visual clarity, we have shown the pusher application photos without these safeguards.