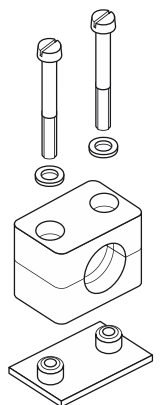
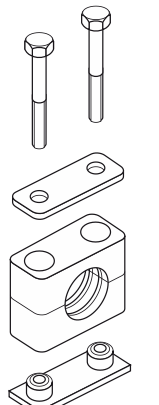
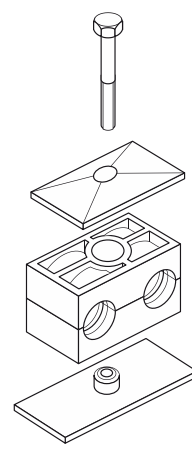
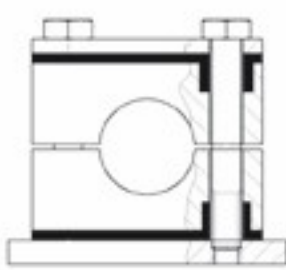


Tube clamps

ENGINEERING YOUR SUCCESS.

Programme overview

<p>Tube clamps series A</p>	 <p>Page 226 - 235</p>	<p>Tube clamps series C</p>	 <p>Page 241 - 251</p>
<p>Tube clamps series B</p>	 <p>Page 236 - 240</p>	<p>Tube clamps series C with absorbing noise insert</p>	 <p>Page 252-253</p>

Tube clamps

DIN 3015

Programme:

Tube clamps series A (according to DIN 3015 Part 1)

Available in seven standard sizes for normal mechanical requirements.

- Outer tube diameter for the metric series 6 to 57 mm
- Outer tube diameter for the inch-size series R 1/8" to R 1 1/2"
- Outer tube diameter for the imperial size series 1/4" to 2 1/2"

The clamp body is available in a round/closed version.

Welding plates, rail-supports, cover plates and construction types.

Tube clamps series B (according to DIN 3015 Part 3)

Available as a twin tube clamp in five standard sizes for normal mechanical requirements.

Outer tube diameter 6 to 42 mm.

The clamp body is available in a square/open design.

Welding plates, rail-supports, cover plates and construction types.

Clamp halves with different diameters are only possible when used together.

Tube clamps series C (according to DIN 3015 Part 2)

Specially designed for high mechanical requirements, and available in eight standard sizes.

- Outer tube diameter 6 to 220 mm.

The clamp body is available in a square/closed design.

Welding plates, rail-supports, cover plates and construction types.

Design:

According to DIN 3015:

Both upper and lower clamp-halves are identical.

Webs inside the bore of the clamps provide an impact and vibration deadening effect, and absorb the forces towards the direction of the tube axis.

When using hoses and cables, we recommend the use of clamp halves with a smooth bore.

Clamp material:

Polypropylene	-30°C up to	+ 90° C	colour dark green
Polyamide	-40°C up to	+ 120° C	colour black
Rubber	-50°C up to	+ 120° C	colour black
Aluminium	up to	+ 300° C	

All metal parts available also in stainless steel.

Other materials upon request.

Stainless steel qualities

Stainless steel 1.4401/1.4571 (AISI 316/316 TI), resistant against rust and acid.

Accessories material:

Steel. Screws as well as cover plates of series A and B are galvanized.

Rail-supports are also available with zinc plated surface.

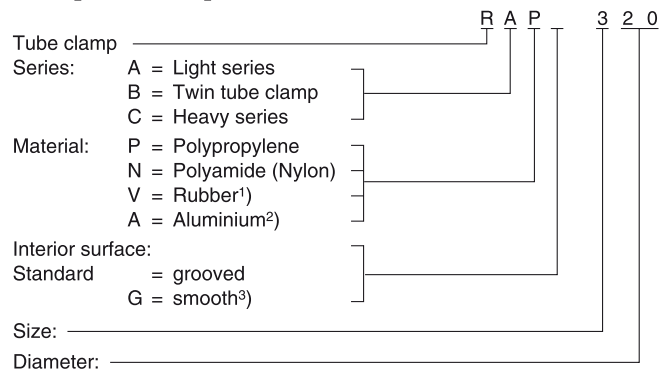
Resistance to stress:

The remarkable features of Tube Clamps are their considerable re-set capability, high tensile strength, as well as their very high output strength and excellent resistance to cold. The choice of design and clamp material depends on the specific demands of the mechanical and thermal requirements.

Order code:

The order code for clamp halves as well as the reference No. for complete tube clamps incorporates the serial indication, material description and interior surface.

Example of description:



¹⁾ Rubber only available for series A and B, inside smooth and series C grooved design

²⁾ Aluminium only available for series A size 1 to 6 and series C size 1 to 8

³⁾ Smooth interior surface in series C only to size 4
Aluminium clamps only available in a grooved design
Inside smooth series A only size 1 to 6

Registration:

On request

Tube clamps

Tube clamps material properties

DIN 3015

Mechanical properties		Polypropylene (PP)	Polyamide 6 (PA 6)	Aluminium	Rubber
Density		0.906 g/cm ³	1.12–1.15g/cm ³	2.65 g/cm ³	0.98 g/cm ³
Flexural deflection	DIN 53452	36 N/mm ²	130...200 N/mm ²	70 N/mm ²	–
Impact resistance	DIN 53453	no break	no break	–	
Compressive strength	DIN 53454	90 N/mm ²	120 N/mm ²	HB 500...600 N/mm ²	A and B: 64° shore C: 73° shore
Modulus of elasticity	DIN 53452	1500 N/mm ²	3000 N/mm ²	70.000 N/mm ²	
Tensile strength					A and B: 6.1 N/mm ²
without breakage	DIN 53454	25–35 N/mm ²	80–90 N/mm ²	180 N/mm ²	C: 8.5 N/mm ²

Thermal properties					
Temp. resistance		–30 ... + 90°C	–40 ... + 120°C	300°C	–50 ... +120°C

Chemical properties					
Weak acids		limited resistant	limited resistant		resistant
Weak alkalis		limited resistant	limited resistant		resistant
Alcohol		resistant	resistant		resistant
Petrol		limited resistant	resistant		limited resistant
Mineral oils		resistant	resistant		resistant
Other oils		resistant	resistant		resistant

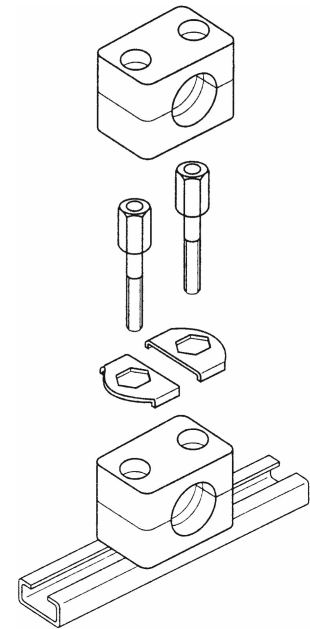
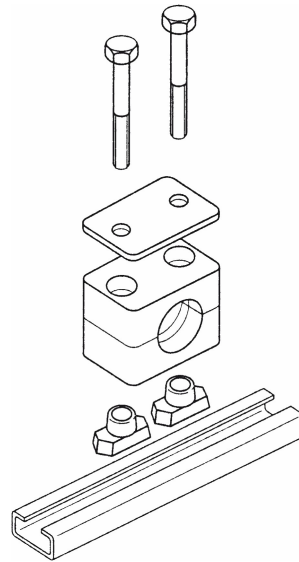
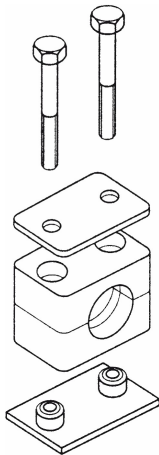
The outlined particulars are approximate values and are only shown for reference, which are not binding, and with regard to possible protection of third parties. They do not exempt you from your own examination of suitability of the products delivered by us. Therefore, these values can only be used in a limited way for guidance only.

The application of the products is carried out outside of our control and, therefore, is exclusively subject to your own area of responsibility. Any claim however would be limited for all damages to the value of the goods supplied by us and in use by you.

It goes without saying, that we guarantee the perfect quality of our products according to our general sales and delivery conditions.

Tube clamps assembly instruction

DIN 3015



Assembly:

Assembly on to metal welding plates

Place welding plates on a base appropriate for the load. Make sure that the clamps are properly aligned. Clamp lower clamp half onto welding plate, insert tube, place upper clamp half onto lower half and fasten with the screws. Attention must be paid to the bias (after completed assembly, clamp halves may not be in contact)! Do not weld with fitted plastic clamp!
Extended welding plates may be screw-fastened to the base.

Assembly on support rails

Support rails are available in four different heights and come in pieces of 1 m or 2 m length, as required. Weld on support rail or screw-fasten with fastening angle bracket. Insert support rail nuts in rail and turn until stoppage. For heavy duty construction series, nuts are simply pushed in. Clamp lower clamp half on support rail nuts, insert tube, place upper clamp half onto lower half and fasten with the screws. Before fastening the screws the clamp may still be positioned. Attention must be paid to the bias (after completed assembly, the clamp halves may not be in contact)!

Construction assembly

Clamps allow the assembly of multiple clamps of the same construction size and of different tube diameters one above the other. The construction assembly is carried out with special fixing screws that are secured against twisting by applying a locking plate. Clamp lower clamp half on welding plate or support rail respectively, insert tube, place upper clamp half on lower half and fasten with fixing screws. The fixing screw juts out from the upper clamp half. The application of a locking plate securely fastens the fixing screw and prevents twisting. Clamp on second clamp half on to the fixing screws etc.

Tube clamps

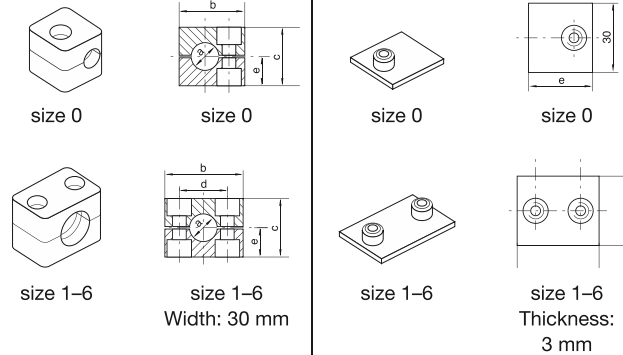
Tube clamps series A (Light construction series) – Components

DIN 3015, part 1

Order code for clamp halves:

Polypropylene – **RAP**
 Inside smooth – **RAPG**
 Polyamide 6 – **RAN**
 Inside smooth – **RANG**
 Rubber – **RAVG**
 Aluminium – **RAA¹⁾**

(Please exchange as required standard abbreviation
 RAP in column for “clamp halves”)



clamp size	Tube O.D. mm a	Tube NB	Tube O.D.	1 part 2 clamp halves				welding plate, short		
				RAP... Order code	dimensions: b c d e				APK A... Order code	dimensions: d e
0	6.0	G 1/8	1/4 5/16 3/8	RAP006X RAP006.4X RAP008X RAP009.5X RAP010X RAP012X	28	27	-	13.5	APKA0X	30
	6.4									
	8.0									
	9.5									
	10.0									
	12.0									
1	6.0	G 1/8	1/4 5/16 3/8	RAP106X RAP106.4X RAP108X RAP109.5X RAP110X RAP112X	34	27	20	13.5	APKA1X	20 36
	6.4									
	8.0									
	9.5									
	10.0									
	12.0									
2	12.7	G 1/4	1/2	RAP212.7X RAP213.5X RAP214X RAP215X RAP216X RAP217.2X RAP218X	40	33	26	16.5	APKA2X	26 42
	13.5									
	14.0									
	15.0	G 3/8	5/8	RAP319X RAP320X RAP321.3X RAP322X RAP323X RAP325X	48	35	33	17.5	APKA3X	33 50
	16.0									
	17.2									
18.0	G 3/4	3/4	RAP426.9X RAP428X RAP430X	57	42	40	21	APKA4X	40 59	
19.0										
20.0										
3	21.3	G 1/2	1	RAP532X RAP533.7X RAP535X RAP538X RAP540X RAP542X	70	58	52	29	APKA5X	52 72
	22.0									
	23.0									
	25.0	G 1 1/4	1 1/2	RAP644.5X RAP645X RAP648X RAP650X RAP650.8X RAP652X RAP655X RAP657X	86	66	66	33	APKA6X	66 88
	26.9									
	28.0									
4	30.0	G 1	1 1/4	RAP644.5X RAP645X RAP648X RAP650X RAP650.8X RAP652X RAP655X RAP657X	86	66	66	33	APKA6X	66 88
	32.0									
	33.7									
	35.0									
	38.0									
	40.0									
5	42.0	G 1 1/4	1 3/4	RAP644.5X RAP645X RAP648X RAP650X RAP650.8X RAP652X RAP655X RAP657X	86	66	66	33	APKA6X	66 88
	44.5									
	45.0									
	48.0									
	50.0									
	50.8									
6	52.0	G 1 1/2	2	RAP644.5X RAP645X RAP648X RAP650X RAP650.8X RAP652X RAP655X RAP657X	86	66	66	33	APKA6X	66 88
	55.0									
	57.0									
	21 1/4									

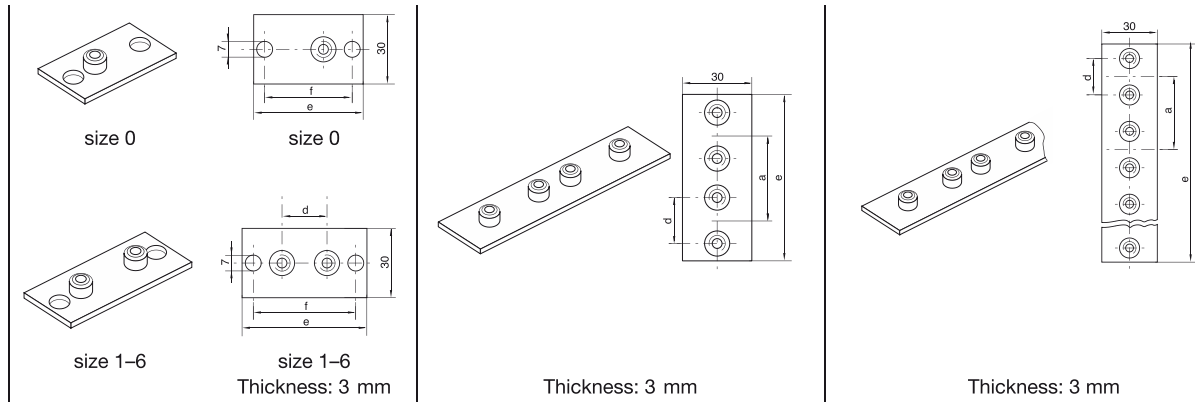
When assembling solid rubber clamps, covering plates, hexagon screws and locking washers must be used. All metal parts available in stainless steel.

¹⁾ Aluminium only sizes 1 to 6.



Tube clamps series A (Light construction series) – Components

DIN 3015, part 1



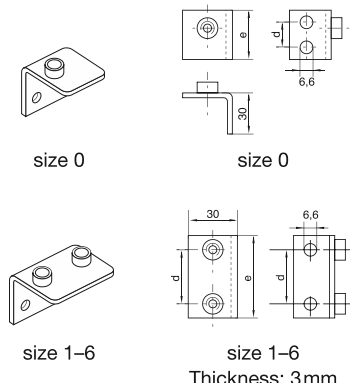
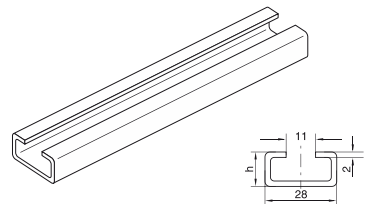
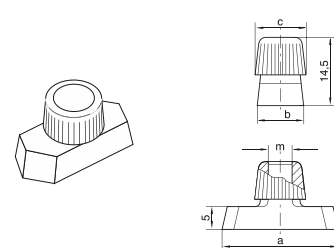
clamp size	weld/screw plate, long			twin welding plate			multiple weld plate					
	APL A... Order code	dimensions: d e f			APD A... Order code	dimensions: d a e			APR A... Order code	dimensions: d a e		
0	APLA0X	58	44		APDA0X	30	61		APRA0X (10 clamps)	30	298	
1	APLA1X	20	64	50	APDA1X	20	35	69	APRA1X (10 clamps)	20	35	349
2	APLA2X	26	70	56	APDA2X	26	43	86	APRA2X (10 clamps)	26	43	427
3	APLA3X	33	78	64	APDA3X	33	52	104	APRA3X (10 clamps)	33	52	516
4	APLA4X	40	87	73	APDA4X	40	60	117	APRA4X (5 clamps)	40	60	297
5	APLA5X	52	100	86	APDA5X	52	75	145	APRA5X (5 clamps)	52	75	370
6	APLA6X	66	116	100	APDA6X	66	90	176	APRA6X (5 clamps)	66	90	446

Metal parts also available in stainless steel.

Tube clamps

Tube clamps series A (Light construction series) – Components

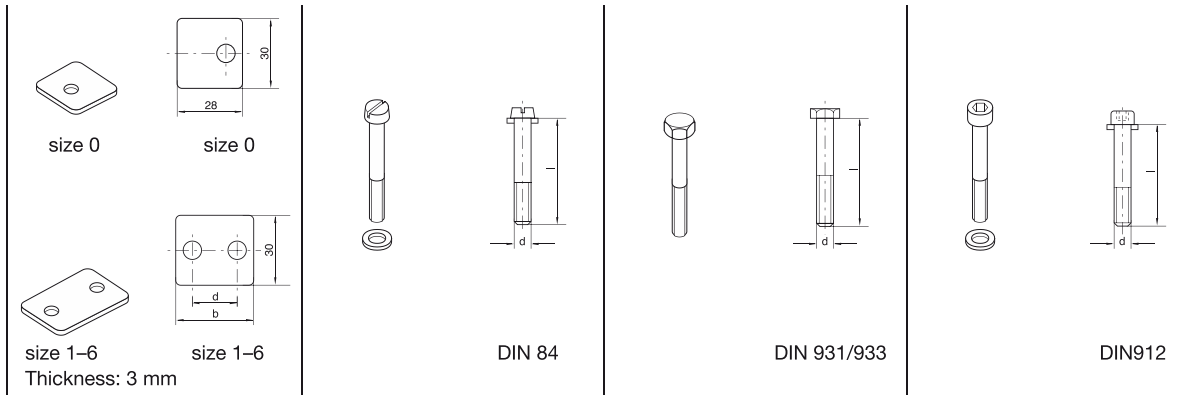
DIN 3015, part 1

	 <p>size 0</p> <p>size 0</p> <p>size 1-6</p> <p>size 1-6 Thickness: 3mm</p>		 <p>1 or 2 mtr</p>						
clamp size	weld plate, angled		mounting rail		rail nut				
	APW A... Order code	dimensions: d e	TS...A/B Order code	dimensions: h	TM...A/B1 Order code	dimensions: a b c m			
0	APWA0X	14 30	TS11A/B1X TS11A/B2X TS14A/B1X TS14A/B2X TS30A/B1X TS30A/B2X	TS11: 11 TS14: 14 TS30: 30	TMA/TMB1VERZX	25.4 10.4 12 M6			
1	APWA1X	20 36							
2	APWA2X	26 42							
3	APWA3X	33 50							
4	APWA4X	40 59							
5	APWA5X	52 72							
6	APWA6X	66 88							

Metal parts also available in stainless steel.

Tube clamps series A (Light construction series) – Components

DIN 3015, part 1



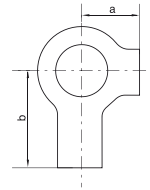
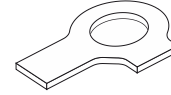
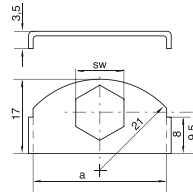
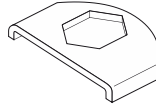
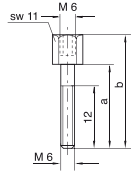
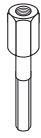
clamp size	cover plate		slot head		hexagon head		socket head	
	DP A... Order code	dimensions: b d	SL A... Order code	dimensions: d x L	SSL A... Order code	dimensions: d x L	IS A... Order code	dimensions: d x L
0	DPA0X	– –	SLA0X	M 6 x 20	SSL10X	M 6 x 30	ISA0X	M 6 x 20
1	DPA1X	34 20	SLA1X	M 6 x 20	SSLA0X	M 6 x 30	ISA1X	M 6 x 20
2	DPA2X	40 26	SLA2X	M 6 x 25	SSLA2/SSB1X	M 6 x 35	ISA2X	M 6 x 25
3	DPA3X	48 33	SLA3X	M 6 x 30	SSLA3X	M 6 x 40	ISA3X	M 6 x 30
4	DPA4X	57 40	SLA4X	M 6 x 35	SSLA4X	M 6 x 45	ISA4X	M 6 x 35
5	DPA5X	70 52	SLA5X	M 6 x 50	SSLA5X	M 6 x 60	ISA5X	M 6 x 50
6	DPA6X	86 66	SLA6X	M 6 x 60	SSLA6X	M 6 x 70	ISA6X	M 6 x 60

All metal parts available in stainless steel.

Tube clamps

Tube clamps series A (Light construction series) – Components

DIN 3015, part 1



clamp size	stacking ¹⁾		locking plate ¹⁾		locking washer ²⁾	
	AS A... Order code	dimensions: a b	SB A Order code	dimensions: a SW	US A Order code	dimensions: a b
0	ASA0X (AS B1X)	20 34	SBAX	30 11	USA/USB1X	9 18
1	ASA0X (ASB1X)	20 34				
2	ASA2X	25 39				
3	ASA3X	30 44				
4	ASA4X	35 49				
5	ASA5X	50 64				
6	ASA6X	60 74				

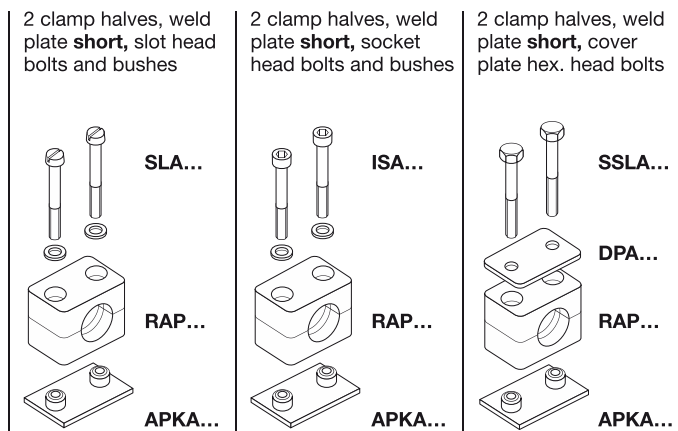
¹⁾ The use of stacking bolts necessitates the use of locking plates in the construction assembly.

²⁾ When assembling solid rubber clamps, cover plates, hexagon screws and locking washers must be used.
Metal parts also available in stainless steel.

Tube clamps series A (Light construction series) – Complete range

- Polypropylene – **RAP**
- Inside smooth – **RAPG**
- Polyamide 6 – **RAN**
- Inside smooth – **RANG**
- Rubber – **RAVG***
- Aluminium – **RAA**

(As required please exchange standard abbreviation RAP in column for “Order code”)



clamp size	Tube O.D. mm	Tube NB	Tube O.D.	Order code	Order code	Order code
0 ¹⁾	6.0	G 1/8	1/4 5/16 3/8	RAP1-006	RAP2-006	RAP3-006
	6.4			RAP1-006.4	RAP2-006.4	RAP3-006.4
	8.0			RAP1-008	RAP2-008	RAP3-008
	9.5			RAP1-009.5	RAP2-009.5	RAP3-009.5
	10.0			RAP1-010	RAP2-010	RAP3-010
	12.0			RAP1-012	RAP2-012	RAP3-012
1	6.0	G 1/8	1/4 5/16 3/8	RAP1-106	RAP2-106	RAP3-106
	6.4			RAP1-106.4	RAP2-106.4	RAP3-106.4
	8.0			RAP1-108	RAP2-108	RAP3-108
	9.5			RAP1-109.5	RAP2-109.5	RAP3-109.5
	10.0			RAP1-110	RAP2-110	RAP3-110
	12.0			RAP1-112	RAP2-112	RAP3-112
2	12.7	G 1/4	1/2	RAP1-212.7	RAP2-212.7	RAP3-212.7
	13.5			RAP1-213.5	RAP2-213.5	RAP3-213.5
	14.0			RAP1-214	RAP2-214	RAP3-214
	15.0	G 3/8	5/8	RAP1-215	RAP2-215	RAP3-215
	16.0			RAP1-216	RAP2-216	RAP3-216
	17.2			RAP1-217.2	RAP2-217.2	RAP3-217.2
18.0	RAP1-218	RAP2-218	RAP3-218			
3	19.0	G 1/2	3/4 1	RAP1-319	RAP2-319	RAP3-319
	20.0			RAP1-320	RAP2-320	RAP3-320
	21.3			RAP1-321.3	RAP2-321.3	RAP3-321.3
	22.0			RAP1-322	RAP2-322	RAP3-322
	23.0			RAP1-323	RAP2-323	RAP3-323
	25.0			RAP1-325	RAP2-325	RAP3-325
4	26.9	G 3/4		RAP1-426.9	RAP2-426.9	RAP3-426.9
	28.0			RAP1-428	RAP2-428	RAP3-428
	30.0			RAP1-430	RAP2-430	RAP3-430
5	32.0	G 1	1 1/4	RAP1-532	RAP2-532	RAP3-532
	33.7			RAP1-533.7	RAP2-533.7	RAP3-533.7
	35.0			RAP1-535	RAP2-535	RAP3-535
	38.0	G 1 1/4	1 1/2	RAP1-538	RAP2-538	RAP3-538
	40.0			RAP1-540	RAP2-540	RAP3-540
	42.0			RAP1-542	RAP2-542	RAP3-542
6	44.5	G 1 1/2	1 3/4	RAP1-644.5	RAP2-644.5	RAP3-644.5
	45.0			RAP1-645	RAP2-645	RAP3-645
	48.0			RAP1-648	RAP2-648	RAP3-648
	50.0	2	2	RAP1-650	RAP2-650	RAP3-650
	50.8			RAP1-650.8	RAP2-650.8	RAP3-650.8
	52.0			RAP1-652	RAP2-652	RAP3-652
	55.0			RAP1-655	RAP2-655	RAP3-655
	57.0			RAP1-657	RAP2-657	RAP3-657

Delivery in unassembled individual components.

¹⁾ Contrary to the illustration size 0 clamps are secured by only one screw.

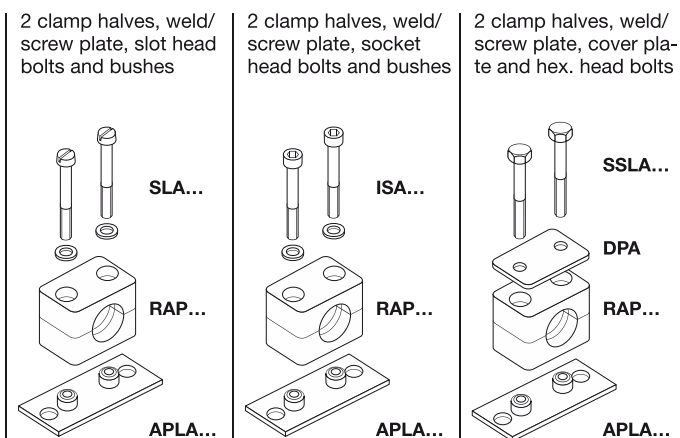
* Only with cover plate, hexagonal screws and locking washers.

Tube clamps

Tube clamps series A (Light construction series) – Complete range

Polypropylene – **RAP**
 Inside smooth – **RAPG**
 Polyamide 6 – **RAN**
 Inside smooth – **RANG**
 Rubber – **RAVG***
 Aluminium – **RAA**

(As required please exchange standard abbreviation RAP in column for “Order code”)



clamp size	Tube O.D. mm	Tube NB	Tube O.D.	Order code	Order code	Order code
0 ¹⁾	6.0	G 1/8	1/4	RAP4-006	RAP5-006	RAP6-006
	6.4			RAP4-006.4	RAP5-006.4	RAP6-006.4
	8.0			RAP4-008	RAP5-008	RAP6-008
	9.5			RAP4-009.5	RAP5-009.5	RAP6-009.5
	10.0			RAP4-010	RAP5-010	RAP6-010
	12.0			RAP4-012	RAP5-012	RAP6-012
1	6.0	G 1/8	1/4	RAP4-106	RAP5-106	RAP6-106
	6.4			RAP4-106.4	RAP5-106.4	RAP6-106.4
	8.0			RAP4-108	RAP5-108	RAP6-108
	9.5			RAP4-109.5	RAP5-109.5	RAP6-109.5
	10.0			RAP4-110	RAP5-110	RAP6-110
	12.0			RAP4-112	RAP5-112	RAP6-112
2	12.7	G 1/4	1/2	RAP4-212.7	RAP5-212.7	RAP6-212.7
	13.5			RAP4-213.5	RAP5-213.5	RAP6-213.5
	14.0			RAP4-214	RAP5-214	RAP6-214
	15.0	G 3/8	5/8	RAP4-215	RAP5-215	RAP6-215
	16.0			RAP4-216	RAP5-216	RAP6-216
	17.2			RAP4-217.2	RAP5-217.2	RAP6-217.2
18.0	RAP4-218	RAP5-218	RAP6-218			
3	19.0	G 1/2	3/4	RAP4-319	RAP5-319	RAP6-319
	20.0			RAP4-320	RAP5-320	RAP6-320
	21.3			RAP4-321.3	RAP5-321.3	RAP6-321.3
	22.0			RAP4-322	RAP5-322	RAP6-322
	23.0			RAP4-323	RAP5-323	RAP6-323
	25.0			RAP4-325	RAP5-325	RAP6-325
4	26.9	G 3/4	1	RAP4-426.9	RAP5-426.9	RAP6-426.9
	28.0			RAP4-428	RAP5-428	RAP6-428
	30.0			RAP4-430	RAP5-430	RAP6-430
5	32.0	G 1	1 1/4	RAP4-532	RAP5-532	RAP6-532
	33.7			RAP4-533.7	RAP5-533.7	RAP6-533.7
	35.0			RAP4-535	RAP5-535	RAP6-535
	38.0	G 1 1/4	1 1/2	RAP4-538	RAP5-538	RAP6-538
	40.0			RAP4-540	RAP5-540	RAP6-540
	42.0			RAP4-542	RAP5-542	RAP6-542
6	44.5	G 1 1/2	1 3/4	RAP4-644.5	RAP5-644.5	RAP6-644.5
	45.0			RAP4-645	RAP5-645	RAP6-645
	48.0			RAP4-648	RAP5-648	RAP6-648
	50.0	2	2	RAP4-650	RAP5-650	RAP6-650
	50.8			RAP4-650.8	RAP5-650.8	RAP6-650.8
	52.0			RAP4-652	RAP5-652	RAP6-652
	55.0			RAP4-655	RAP5-655	RAP6-655
	57.0			RAP4-657	RAP5-657	RAP6-657

Delivery in unassembled individual components.

¹⁾ Contrary to the illustration size 0 clamps are secured by only one screw.

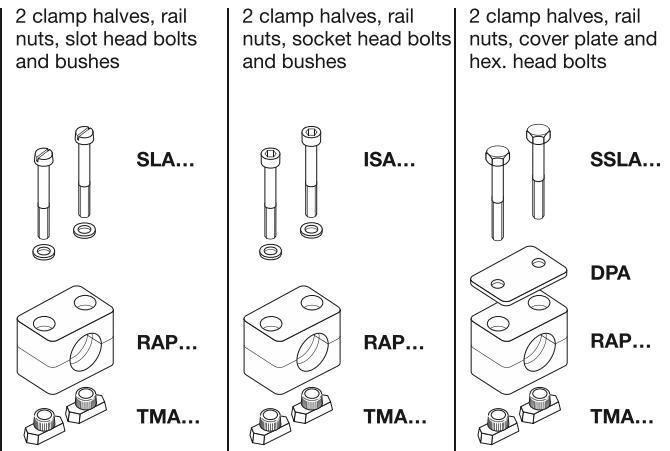
* Only with cover plate, hexagon screws and locking washers.



Tube clamps series A (Light construction series) – Complete range

- Polypropylene – **RAP**
- Inside smooth – **RAPG**
- Polyamide 6 – **RAN**
- Inside smooth – **RANG**
- Rubber – **RAVG***
- Aluminium – **RAA**

(As required please exchange standard abbreviation RAP in column for “Order code”)



clamp size	Tube O.D. mm	Tube NB	Tube O.D.	Order code	Order code	Order code
0 ¹⁾	6.0	G 1/8	1/4	RAP9-006	RAP10-006	RAP12-006
	6.4			RAP9-006.4	RAP10-006.4	RAP12-006.4
	8.0			RAP9-008	RAP10-008	RAP12-008
	9.5			RAP9-009.5	RAP10-009.5	RAP12-009.5
	10.0			RAP9-010	RAP10-010	RAP12-010
	12.0			RAP9-012	RAP10-012	RAP12-012
1	6.0	G 1/8	1/4	RAP9-106	RAP10-106	RAP12-106
	6.4			RAP9-106.4	RAP10-106.4	RAP12-106.4
	8.0			RAP9-108	RAP10-108	RAP12-108
	9.5			RAP9-109.5	RAP10-109.5	RAP12-109.5
	10.0			RAP9-110	RAP10-110	RAP12-110
	12.0			RAP9-112	RAP10-112	RAP12-112
2	12.7	G 1/4	1/2	RAP9-212.7	RAP10-212.7	RAP12-212.7
	13.5			RAP9-213.5	RAP10-213.5	RAP12-213.5
	14.0			RAP9-214	RAP10-214	RAP12-214
	15.0	G 3/8	5/8	RAP9-215	RAP10-215	RAP12-215
	16.0			RAP9-216	RAP10-216	RAP12-216
	17.2			RAP9-217.2	RAP10-217.2	RAP12-217.2
18.0	RAP9-218	RAP10-218	RAP12-218			
3	19.0	G 1/2	3/4	RAP9-319	RAP10-319	RAP12-319
	20.0			RAP9-320	RAP10-320	RAP12-320
	21.3			RAP9-321.3	RAP10-321.3	RAP12-321.3
	22.0			RAP9-322	RAP10-322	RAP12-322
	23.0			RAP9-323	RAP10-323	RAP12-323
	25.0			RAP9-325	RAP10-325	RAP12-325
4	26.9	G 3/4	1	RAP9-426.9	RAP10-426.9	RAP12-426.9
	28.0			RAP9-428	RAP10-428	RAP12-428
	30.0			RAP9-430	RAP10-430	RAP12-430
5	32.0	G 1	1 1/4	RAP9-532	RAP10-532	RAP12-532
	33.7			RAP9-533.7	RAP10-533.7	RAP12-533.7
	35.0			RAP9-535	RAP10-535	RAP12-535
	38.0	G 1 1/4	1 1/2	RAP9-538	RAP10-538	RAP12-538
	40.0			RAP9-540	RAP10-540	RAP12-540
	42.0			RAP9-542	RAP10-542	RAP12-542
6	44.5	G 1 1/2	1 3/4	RAP9-644.5	RAP10-644.5	RAP12-644.5
	45.0			RAP9-645	RAP10-645	RAP12-645
	48.0			RAP9-648	RAP10-648	RAP12-648
	50.0	2	2	RAP9-650	RAP10-650	RAP12-650
	50.8			RAP9-650.8	RAP10-650.8	RAP12-650.8
	52.0			RAP9-652	RAP10-652	RAP12-652
	55.0			RAP9-655	RAP10-655	RAP12-655
	57.0			RAP9-657	RAP10-657	RAP12-657

Delivery in unassembled individual components.

¹⁾ Contrary to the illustration size 0 clamps are secured by only one screw.

* Only with cover plate, hexagonal screws and locking washers.

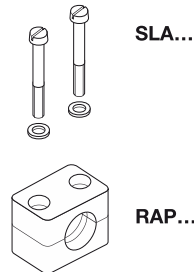
Tube clamps

Tube clamps series A – Complete range

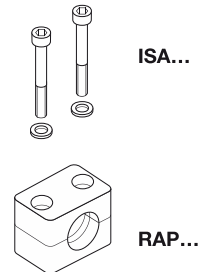
Polypropylene – **RAP**
 Inside smooth – **RAPG**
 Polyamide 6 – **RAN**
 Inside smooth – **RANG**
 Rubber – **RAVG***
 Aluminium – **RAA**

(As required please exchange standard abbreviation RAP in column for “Order code”)

2 clamp halves, slot heads and bushes



2 clamp halves, socket head bolts and bushes



clamp size	Tube O.D. mm	Tube NB	Tube O.D.	Order code	Order code
0 ¹⁾	6.0	G 1/8	1/4	RAP13-006	RAP14-006
	6.4			RAP13-006.4	RAP14-006.4
	8.0			RAP13-008	RAP14-008
	9.5			RAP13-009.5	RAP14-009.5
	10.0			RAP13-010	RAP14-010
	12.0			RAP13-012	RAP14-012
1	6.0	G 1/8	1/4	RAP13-106	RAP14-106
	6.4			RAP13-106.4	RAP14-106.4
	8.0			RAP13-108	RAP14-108
	9.5			RAP13-109.5	RAP14-109.5
	10.0			RAP13-110	RAP14-110
	12.0			RAP13-112	RAP14-112
2	12.7	G 1/4	1/2	RAP13-212.7	RAP14-212.7
	13.5			RAP13-213.5	RAP14-213.5
	14.0			RAP13-214	RAP14-214
	15.0	G 3/8	5/8	RAP13-215	RAP14-215
	16.0			RAP13-216	RAP14-216
	17.2			RAP13-217.2	RAP14-217.2
	18.0			RAP13-218	RAP14-218
3	19.0	G 1/2	3/4	RAP13-319	RAP14-319
	20.0			RAP13-320	RAP14-320
	21.3			RAP13-321.3	RAP14-321.3
	22.0			RAP13-322	RAP14-322
	23.0			RAP13-323	RAP14-323
	25.0		1	RAP13-325	RAP14-325
4	26.9	G 3/4		RAP13-426.9	RAP14-426.9
	28.0			RAP13-428	RAP14-428
	30.0			RAP13-430	RAP14-430
5	32.0	G 1	1 1/4	RAP13-532	RAP14-532
	33.7			RAP13-533.7	RAP14-533.7
	35.0			RAP13-535	RAP14-535
	38.0	G 1 1/4	1 1/2	RAP13-538	RAP14-538
	40.0			RAP13-540	RAP14-540
	42.0			RAP13-542	RAP14-542
6	44.5	G 1 1/2	1 3/4	RAP13-644.5	RAP14-644.5
	45.0			RAP13-645	RAP14-645
	48.0			RAP13-648	RAP14-648
	50.0			RAP13-650	RAP14-650
	50.8	2	2	RAP13-650.8	RAP14-650.8
	52.0			RAP13-652	RAP14-652
	55.0			RAP13-655	RAP14-655
	57.0			RAP13-657	RAP14-657
			2 1/4		

Delivery in unassembled individual components.

¹⁾ Contrary to the illustration size 0 clamps are secured by only one screw.

* Only with cover plate, hexagon screws and locking washers.

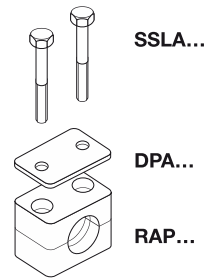


Tube clamps series A – Complete range

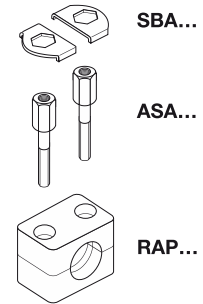
Polypropylene – **RAP**
 Inside smooth – **RAPG**
 Polyamide 6 – **RAN**
 Inside smooth – **RANG**
 Rubber – **RAVG***
 Aluminium – **RAA**

(As required please exchange standard abbreviation RAP in column for “Order code”)

2 clamp halves, cover plate and hex. head bolts



2 clamp halves, stacking bolts and locking plate



clamp size	Tube O.D. mm	Tube NB	Tube O.D.	Order code	Order code
0 ¹⁾	6.0	G 1/8	1/4	RAP16-006	RAP18-006
	6.4			RAP16-006.4	RAP18-006.4
	8.0			RAP16-008	RAP18-008
	9.5			RAP16-009.5	RAP18-009.5
	10.0			RAP16-010	RAP18-010
	12.0			RAP16-012	RAP18-012
1	6.0	G 1/8	1/4	RAP16-106	RAP18-106
	6.4			RAP16-106.4	RAP18-106.4
	8.0			RAP16-108	RAP18-108
	9.5			RAP16-109.5	RAP18-109.5
	10.0			RAP16-110	RAP18-110
	12.0			RAP16-112	RAP18-112
2	12.7	G 1/4	1/2	RAP16-212.7	RAP18-212.7
	13.5			RAP16-213.5	RAP18-213.5
	14.0			RAP16-214	RAP18-214
	15.0	G 3/8	5/8	RAP16-215	RAP18-215
	16.0			RAP16-216	RAP18-216
	17.2			RAP16-217.2	RAP18-217.2
18.0	RAP16-218	RAP18-218			
3	19.0	G 1/2	3/4	RAP16-319	RAP18-319
	20.0			RAP16-320	RAP18-320
	21.3			RAP16-321.3	RAP18-321.3
	22.0			RAP16-322	RAP18-322
	23.0			RAP16-323	RAP18-323
	25.0			RAP16-325	RAP18-325
4	26.9	G 3/4	1	RAP16-426.9	RAP18-426.9
	28.0			RAP16-428	RAP18-428
	30.0			RAP16-430	RAP18-430
5	32.0	G 1	1 1/4	RAP16-532	RAP18-532
	33.7			RAP16-533.7	RAP18-533.7
	35.0			RAP16-535	RAP18-535
	38.0	G 1 1/4	1 1/2	RAP16-538	RAP18-538
	40.0			RAP16-540	RAP18-540
	42.0			RAP16-542	RAP18-542
6	44.5	G 1 1/2	1 3/4	RAP16-644.5	RAP18-644.5
	45.0			RAP16-645	RAP18-645
	48.0			RAP16-648	RAP18-648
	50.0			RAP16-650	RAP18-650
	50.8	2	2	RAP16-650.8	RAP18-650.8
	52.0			RAP16-652	RAP18-652
	55.0			RAP16-655	RAP18-655
	57.0			RAP16-657	RAP18-657
			2 1/4		

Delivery in unassembled individual components.

¹⁾ Contrary to the illustration size 0 clamps are secured by only one screw.

* Only with cover plate, hexagon screws and locking washers.

Tube clamps

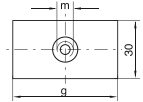
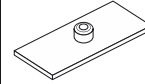
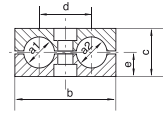
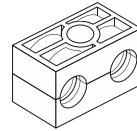
Tube clamps series B (Twin-tube clamps) – Components

DIN 3015, part 3

Order code for clamp halves:

Polypropylene – **RBP**
 Inside smooth – **RBPG**
 Polyamide 6 – **RBN**
 Rubber – **RBVG**

(Please exchange standard abbreviation RBP in column for “clamp halves” as required.)



Width: 30 mm

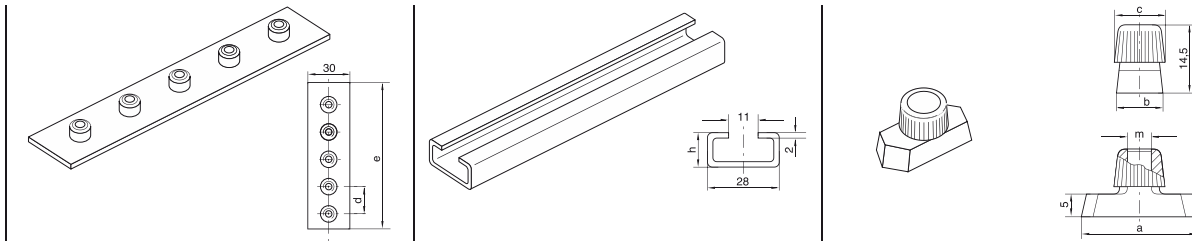
clamp size	Tube O.D. mm	Tube NB	Tube O.D.	1 part 2 clamp halves ¹⁾		weld plate	
				RBP... Order code	dimensions: b c d e	APB... Order code	dimensions: g m
1	6.0	G 1/8	1/4	RBP106X	36 27 20 13.5	APB1X	37 M 6
	6.4						
	8.0						
	9.5						
	10.0						
12.0						Thickness: 3 mm	
2	12.7	G 1/4	1/2	RBP212.7X	53 26 29 13	APB2X	55 M 8
	13.5						
	14.0	G 3/8	5/8	RBP214X	53 26 29 13	APB2X	55 M 8
	15.0						
	16.0						
17.2						Thickness: 5 mm	
18.0							
3	19.0	G 1/2	3/4	RBP319X	67 37 36 18.5	APB3X	70 M 8
	20.0						
	21.3		1	RBP320X	67 37 36 18.5	APB3X	70 M 8
	22.0						
	25.0						
						Thickness: 5 mm	
4	26.9	G 3/4		RBP426.9X	82 42 45 21	APB4X	85 M 8
	28.0						
	30.0						
						Thickness: 5 mm	
5	32.0	G 1	1 1/4	RBP532X	106 54 56 27	APB5X	110 M 8
	33.7						
	35.0	G 1 1/4	1 1/2	RBP533.7X	106 54 56 27	APB5X	110 M 8
	38.0						
	42.0						
						Thickness: 5 mm	

Metal parts also available in stainless steel.

¹⁾ Twin-tube clamps with different outer tube diameters upon request.

Tube clamps series B (Twin-tube clamps) – Components

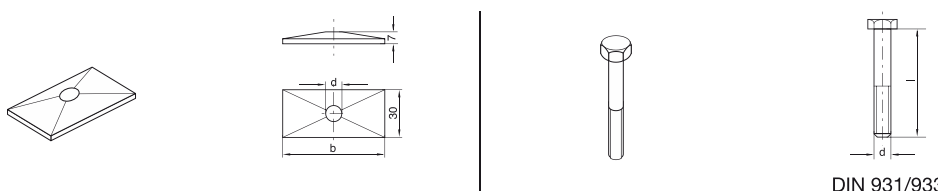
DIN 3015, part 3



clamp size	multiple weld plate		mounting rail		rail nut				
	Order code	dimensions: d e Thickness:	Order code	dimensions: h	Order code	dimensions: a b c m			
1	APRB1X (5 clamps)	40 196 Thickness: 3 mm	TS11A/B1X TS11A/B2X TS14A/B1X TS14A/B2X TS30A/B1X TS30A/B2X	TS11: 11 TS14: 14 TS30: 30	TMA/TMB1VERZX	25.4 10.4 12 M 6			
2	APRB2X (5 clamps)	58 288 Thickness: 5 mm			TMB2X	25.4 10.4 12 M8			
3	APRB3X (5 clamps)	72 358 Thickness: 5 mm							
4	APRB4X (5 clamps)	90 446 Thickness: 5 mm							
5	APRB5X (5 clamps)	112 558 Thickness: 5 mm							

Tube clamps series B (Twin-tube clamps) – Components

DIN 3015, part 3



clamp size	cover plate		hexagonal head	
	Order code	dimensions: b d	Order code	dimensions: d × L
1	DPB1X	34 6.6	SSLA2/SSB1X	M 6 × 35
2	DPB2X	51 8.6	SSB2X	M 8 × 35
3	DPB3X	64 8.6	SSB3X	M 8 × 45
4	DPB4X	78 8.6	SSB4X	M 8 × 50
5	DPB5X	102 8.6	SSB5X	M 8 × 60

Metal parts also available in stainless steel.

Tube clamps

Tube clamps series B (Twin-tube clamps) – Components

DIN 3015, part 3

clamp size	socket head		stacking				locking plate ¹⁾		locking washer ²⁾			
	IS B... Order code	dimensions: d × L	AS B... Order code	dimensions: a b m SW				SB B... Order code	dimensions: SW	US... Order code	dimensions: a b	
1	ISA4X (ISB1X)	M 6 × 35	ASA0X (ASB1X)	20	34	M 6	11	SBB1X	11	USA/USB1X	9	18
2	ISB2X	M 8 × 35	ASB2X	20	33	M 8	12	SBB2X	12	USB2X	11	20
3	ISB3X	M 8 × 45	ASB3X	29	44	M 8	12					
4	ISB4X	M 8 × 50	ASB4X	34	49	M 8	12					
5	ISB5X	M 8 × 60	ASB5X	47	62	M 8	12					

¹⁾ The use of stacking screws necessitates the use of locking plates in the construction assembly!

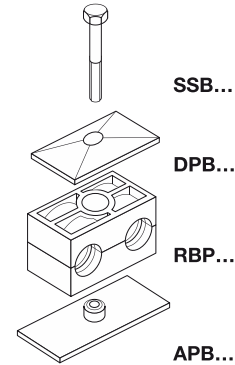
²⁾ When assembling solid rubber clamps, covering plates, hexagon screws and locking washers must be used. Metal parts also available in stainless steel.

Tube clamps series B – Complete range

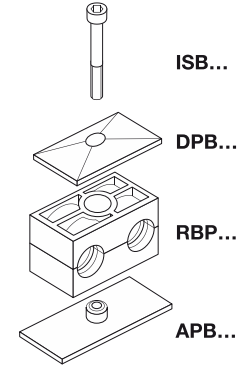
Polypropylene – **RBP**
 Inside smooth – **RBPG**
 Polyamide 6 – **RBN**
 Rubber – **RBVG***

(As required please exchange standard abbreviation RBP in column for “Order code”)

2 clamp halves, weld plate, cover plate, hex. head bolt



2 clamp halves, weld plate, cover plate, socket head bolt



clamp size	Tube O.D. mm	Tube NB	Tube O.D.	Order code	Order code
1	6.0	G ¹ / ₈	1/4	RBP1-106	RBP3-106
	6.4			RBP1-106.4	RBP3-106.4
	8.0			RBP1-108	RBP3-108
	9.5			RBP1-109.5	RBP3-109.5
	10.0			RBP1-110	RBP3-110
	12.0			RBP1-112	RBP3-112
2	12.7	G ¹ / ₄	1/2	RBP1-212.7	RBP3-212.7
	13.5			RBP1-213.5	RBP3-213.5
	14.0			RBP1-214	RBP3-214
	15.0			RBP1-215	RBP3-215
	16.0	G ³ / ₈	5/8	RBP1-216	RBP3-216
	17.2			RBP1-217.2	RBP3-217.2
	18.0			RBP1-218	RBP3-218
3	19.0	G ¹ / ₂	3/4	RBP1-319	RBP3-319
	20.0			RBP1-320	RBP3-320
	21.3			RBP1-321.3	RBP3-321.3
	22.0			RBP1-322	RBP3-322
	25.0			RBP1-325	RBP3-325
4	26.9	G ³ / ₄	1	RBP1-426.9	RBP3-426.9
	28.0			RBP1-428	RBP3-428
	30.0			RBP1-430	RBP3-430
5	32.0	G1	1 1/4	RBP1-532	RBP3-532
	33.7			RBP1-533.7	RBP3-533.7
	35.0			RBP1-535	RBP3-535
	38.0	G1 1/4	1 1/2	RBP1-538	RBP3-538
	42.0			RBP1-542	RBP3-542

Delivery in unassembled individual components.

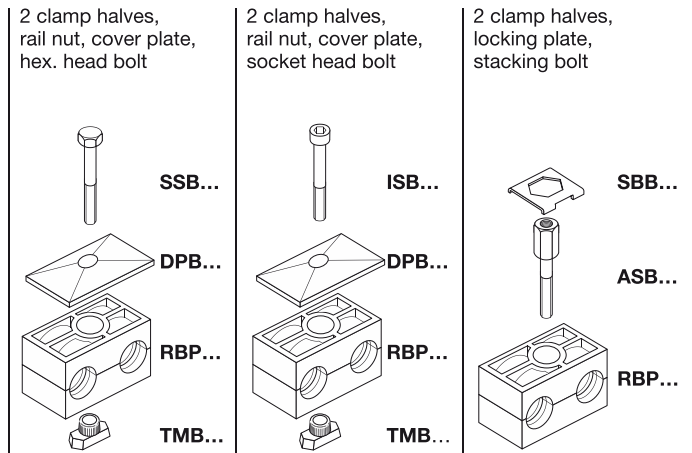
*Only with cover plate, hexagon screws and locking washers.

Tube clamps

Tube clamps series B – Complete range

Polypropylene – **RBP**
 Inside smooth – **RBP**G
 Polyamide 6 – **RBN**
 Rubber – **RBVG***

(As required please exchange standard abbreviation RBP in column for "Order code")



clamp size	Tube O.D. mm	Tube NB	Tube O.D.	Order code	Order code	Order code
1	6.0	G 1/8	1/4	RBP4-106	RBP5-106	RBP8-106
	6.4			RBP4-106.4	RBP5-106.4	RBP8-106.4
	8.0			RBP4-108	RBP5-108	RBP8-108
	9.5			RBP4-109.5	RBP5-109.5	RBP8-109.5
	10.0			RBP4-110	RBP5-110	RBP8-110
	12.0			RBP4-112	RBP5-112	RBP8-112
2	12.7	G 1/4	1/2	RBP4-212.7	RBP5-212.7	RBP8-212.7
	13.5			RBP4-213.5	RBP5-213.5	RBP8-213.5
	14.0			RBP4-214	RBP5-214	RBP8-214
	15.0			RBP4-215	RBP5-215	RBP8-215
	16.0	G 3/8	5/8	RBP4-216	RBP5-216	RBP8-216
	17.2			RBP4-217.2	RBP5-217.2	RBP8-217.2
	18.0			RBP4-218	RBP5-218	RBP8-218
3	19.0	G 1/2	3/4	RBP4-319	RBP5-319	RBP8-319
	20.0			RBP4-320	RBP5-320	RBP8-320
	21.3			RBP4-321.3	RBP5-321.3	RBP8-321.3
	22.0			RBP4-322	RBP5-322	RBP8-322
	25.0			RBP4-325	RBP5-325	RBP8-325
4	26.9	G 3/4	1	RBP4-426.9	RBP5-426.9	RBP8-426.9
	28.0			RBP4-428	RBP5-428	RBP8-428
	30.0			RBP4-430	RBP5-430	RBP8-430
5	32.0	G 1	1 1/4	RBP4-532	RBP5-532	RBP8-532
	33.7			RBP4-533.7	RBP5-533.7	RBP8-533.7
	35.0			RBP4-535	RBP5-535	RBP8-535
	38.0	G 1 1/4	1 1/2	RBP4-538	RBP5-538	RBP8-538
	42.0			RBP4-542	RBP5-542	RBP8-542

Delivery in unassembled individual components.

*Only with cover plate, hexagon screws and locking washers.

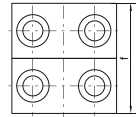
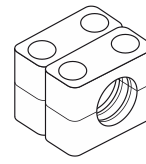
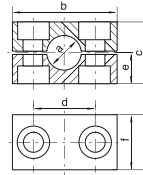
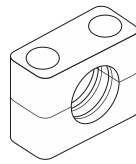
Tube clamps series C (Heavy series) – Components

DIN 3015, part 2

Order code for clamp halves:

- Polypropylene – RCP
- Inside smooth – RCPG¹⁾
- Polyamide 6 – RCN¹⁾
- Rubber – RCVR
- Aluminium – RCA

(Please exchange as required standard abbreviation RCP in column for “clamp halves”)



RCPD
(= 2XRCP...)

clamp size	Tube O.D. mm	Tube NB	Tube O.D.	1 part 2 clamp halves RCP... Order code					1 part 4 clamp halves RCPD... Order code								
				b	c	d	e	f	b	c	d	e	f				
1	6.0	G 1/8	5/16	RCP106X	55	32	33	16	30	RCPD106	55	32	33	16	60		
	8.0			RCP108X						RCPD108							
	10.0			RCP110X						RCPD110							
	12.0			RCP112X						RCPD112							
	12.7			RCP112.7X						RCPD112.7							
	13.5	G 1/4	1/2	RCP113.5X						RCPD113.5							
	14.0			RCP114X						RCPD114							
	15.0			RCP115X						RCPD115							
	16.0	G 3/8	5/8	RCP116X						RCPD116							
	17.2			RCP117.2X						RCPD117.2							
	18.0			RCP118X						RCPD118							
2	19.0	G 1/2	3/4	RCP219X	70	48	45	24	30	RCPD219	70	48	45	24	60		
	20.0			RCP220X						RCPD220							
	21.3			RCP221.3X						RCPD221.3							
	22.0			RCP222X						RCPD222							
	23.0			RCP223X						RCPD223							
	25.0	G 3/4	1	RCP225X						RCPD225							
	26.9			RCP226.9X						RCPD226.9							
	28.0			RCP228X						RCPD228							
	30.0			RCP230X						RCPD230							
3	30.0	G 1	1 1/4	RCP330X	85	60	60	30	30	RCPD330	85	60	60	30	60		
	32.0			RCP332X						RCPD332							
	33.7			RCP333.7X						RCPD333.7							
	35.0			RCP335X						RCPD335							
	38.0			RCP338X						RCPD338							
	39.0	G 1 1/4	1 1/2	RCP339X						RCPD339							
	40.0			RCP340X						RCPD340							
	42.0			RCP342X						RCPD342							
4	38.0	G 1 1/4	1 1/2	RCP438X	115	90	90	45	45	RCPD428	115	90	90	45	90		
	40.0			RCP440X						RCPD440							
	42.0			RCP442X						RCPD442							
	45.0			RCP445X						RCPD445							
	46.0			RCP446X						RCPD446							
	48.3			G 1 1/2						2						RCP448.3X	RCPD448.3
	50.0	RCP450X	RCPD450														
	51.0	RCP451X	RCPD451														
	52.0	G 2	2 1/4	RCP452X						RCPD452							
	55.0			RCP455X						RCPD455							
	56.0			RCP456X						RCPD456							
	57.0			RCP457X						RCPD457							
	60.3			RCP460.3X						RCPD460.3							
	63.0			2 1/2						2 1/2						RCP463X	RCPD463
	65.0	RCP465X	RCPD465														
	66.0	RCP466X	RCPD466														
	70.0	RCP470X	RCPD470														

Continuation see next page ...

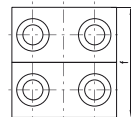
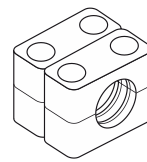
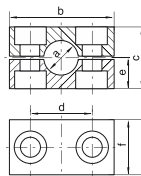
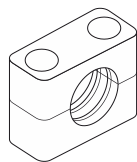
Tube clamps

Tube clamps series C (Heavy series) – Components (Continued)

Order code for clamp halves:

Polypropylene – **RCP**
 Inside smooth – **RCPG**¹⁾
 Polyamide 6 – **RCN**¹⁾
 Rubber – **RCVR**
 Aluminium – **RCA**

(Please exchange as required standard abbreviation
 RCP in column for “clamp halves”)



RCPD
 (= 2XRCP...)

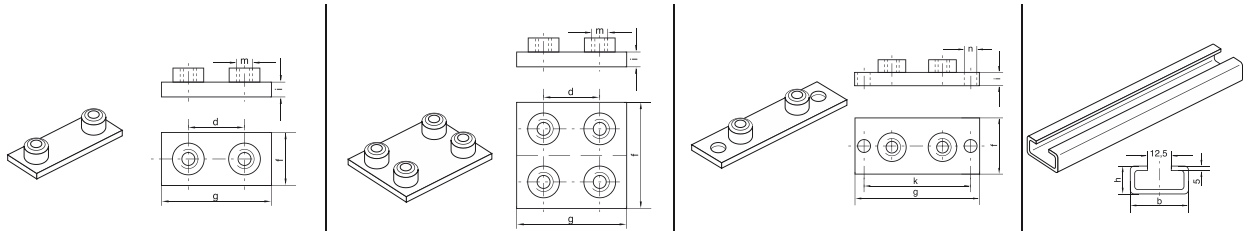
clamp size	Tube O.D. mm	Tube NB	Tube O.D.	1 part 2 clamp halves						1 part 4 clamp halves					
				RCP... Order code	dimensions:					RCPD... Order code	dimensions:				
					b	c	d	e	f		b	c	d	e	f
5	70.0	G 2½	3	RCP570X	152	120	122	60	60	RCPD570	152	120	122	60	120
	73.0			RCP573X						RCPD573					
	75.0			RCP575X						RCPD575					
	76.1			RCP576.1X						RCPD576.1					
	80.0	RCP580X	RCPD580												
	82.5	RCP582.5X	RCPD582.5												
	88.9	RCP588.9X	RCPD588.9												
90.0	RCP590X	RCPD590													
6	90.0	G 3½	4	RCP690X	205	170	168	85	80	RCPD690	205	170	168	85	160
	97.0			RCP697X						RCPD697					
	100.0			RCP6100X						RCPD6100					
	101.6			RCP6101.6X						RCPD6101.6					
	108.0	RCP6108X	RCPD6108												
	114.3	RCP6114.3X	RCPD6114.3												
	127.0	RCP6127X	RCPD6127												
7	127.0	G 5	5	RCP7127X	250	200	205	100	90	RCPD7127	250	200	205	100	180
	133.0		5¼	RCP7133X						RCPD7133					
	140.0		5½	RCP7140X						RCPD7140					
	150.0	G 5½	6	RCP7150X						RCPD7150					
	152.4		6¼	RCP7152.4X						RCPD7152.4					
	159.0		6½	RCP7159X						RCPD7159					
	165.1		6⅝	RCP7165.1X						RCPD7165.1					
168.3	RCP7168.3X	RCPD7168.3													
8	168.3	G 8	6⅝	RCP8168.3X	320	270	265	135	120	RCPD8168.3	320	270	265	135	240
	177.8		7	RCP8177.8X						RCPD8177.8					
	193.7		7⅝	RCP8193.7X						RCPD8193.7					
	203.0		8	RCP8203X						RCPD8203					
	219.1		8⅝	RCP8219.1X						RCPD8219.1					
	220.0		RCP8220X	RCPD8220											
	9		219.1	G8											
244.5		RCP9244.5X													
250.0		RCP9250X													
273.0		RCP9273X													
323.9		RCP9323.9X													
10	355.6	G10		RCP10355.6X	630	530	530	265	180						
	406.4	G12		RCP10406.4X											

Metal parts also available in stainless steel.

¹⁾ Only sizes 1–4

Tube clamps series C (Heavy series) – Components

DIN 3015, part 2



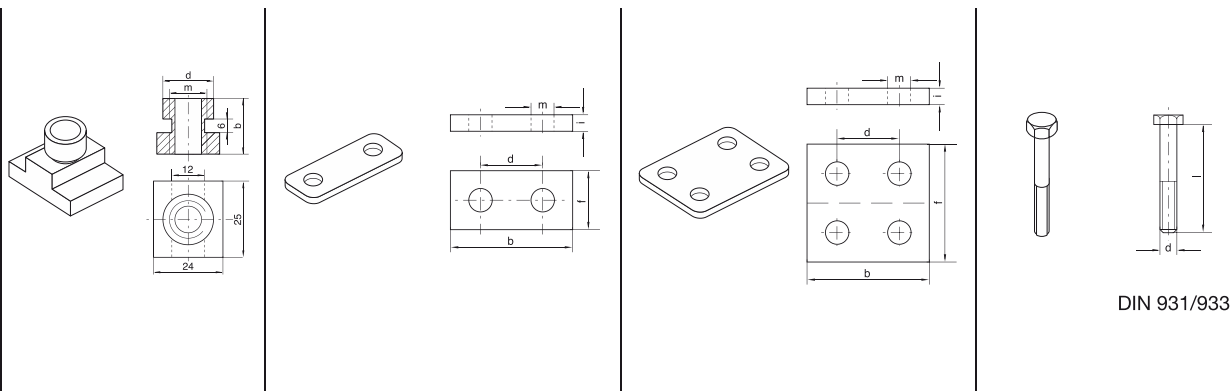
clamp size	AP C... Order code	weld plate dimensions:					APDC C... Order code	double weld plate dimensions:					APLC C... Order code	weld/screw plate dimensions:					TSC C... Order code	mounting rail dim.:	
		d	f	g	i	m		d	f	g	i	m		g	f	i	k	n		b	h
1	APC1X	33	30	73	8	M10	APDC1X	33	60	73	8	M10	APLC1X	113	30	8	85	11	TSC1X (1 Meter) TSC2X (2 Meter)	40	22
2	APC2X	45	30	85	8	M10	APDC2X	45	60	85	8	M10	APLC2X	125	30	8	97	11			
3	APC3X	60	30	100	8	M10	APDC3X	60	60	100	8	M10	APLC3X	140	30	8	112	11			
4	APC4X	90	45	140	10	M12	APDC4X	90	90	140	10	M12	APLC4X	190	45	10	160	14			
5	APC5X	122	60	180	10	M16	APDC5X	122	120	180	10	M16	APLC5X	240	60	10	205	18			
6	APC6X	168	80	225	15	M20	APDC6X	168	160	225	15	M20	APLC6X	310	80	15	270	22			
7	APC7X	205	90	270	15	M24	APDC7X	205	180	270	15	M24	APLC7X	370	90	15	320	26			
8	APC8X	265	120	340	25	M30	APDC8X	265	240	340	25	M30	APLC8X	450	120	25	390	33			
9	APC9X	395	160	520	30	M30	APDC9X	395	324	520	30	M30									
10	APC10X	530	180	680	30	M30	APDC10X	530	364	680	30	M30									

Metal parts also available in stainless steel.
 Complete programme range please refer to page 240.

Tube clamps

Tube clamps series C (Heavy series) – Components

DIN 3015, part 2

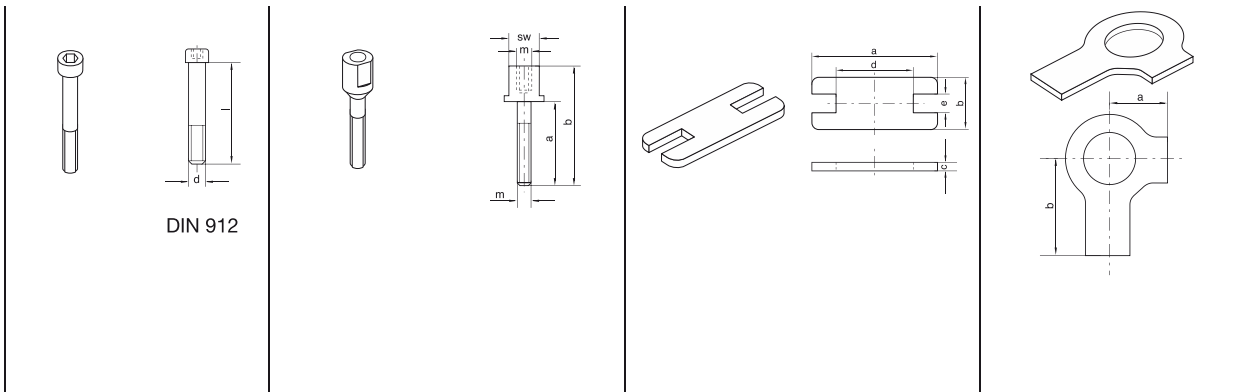


clamp size	rail nut			cover plate					double cover plate					hexagon head				
	TM C... Order code	dimensions:			DP C... Order code	dimensions:					DPD C... Order code	dimensions:					SS C... Order code	dimensions: d × L
		b	d	m		b	d	f	i	m		b	d	f	i	m		
1	TMC1X	20	17.8	M 10	DPC1X	55	33	30	8	11	DPDC1X	55	33	60	8	11	SSC1X	M 10 × 45
2					DPC2X	70	45	30	8	11	DPDC2X	70	45	60	8	11	SSC2X	M 10 × 60
3					DPC3X	85	60	30	8	11	DPDC3X	85	60	60	8	11	SSC3X	M 10 × 70
4	TMC4X	23	19.8	M 12	DPC4X	115	90	45	10	14	DPDC4X	115	90	90	10	14	SSC4X	M 12 × 100
5					DPC5X	152	122	60	10	18	DPDC5X	152	122	120	10	18	SSC5X	M 16 × 130
6					DPC6X	205	168	80	15	22	DPDC6X	205	168	160	15	22	SSC6X	M 20 × 190
7					DPC7X	250	205	90	15	26	DPDC7X	250	205	180	15	26	SSC7X	M 24 × 220
8					DPC8X	320	265	120	25	33	DPDC8X	320	265	240	25	33	SSC8X	M 30 × 300
9					DPC9X	466	395	160	30	35	DPDC9X	466	395	324	30	35	SSC9X	M 30 × 450
10					DPC10X	630	530	180	30	35	DPDC10X	630	530	364	30	35	SSC10X	M 30 × 560

Metal parts also available in stainless steel.

Tube clamps series C (Heavy series) – Components

DIN 3015, part 2



clamp size	socket head		stacking				locking plate ¹⁾					locking washer ²⁾				
	IS C... Order code	dimensions: d × L	AS C... Order code	dimensions: a b m SW				SP C... Order code	dimensions: a b c d e					US C... Order code	dimensions: a b	
1	ISC1X	M 10 × 45	ASC1X	25	51	M 10	15	SPC1X	55	30	8	14	15.5	USC1X	13	22
2	ISC2X	M 10 × 60	ASC2X	40	66	M 10	15	SPC2X	70	30	8	26	15.5			
3	ISC3X	M 10 × 70	ASC3X	50	76	M 10	15	SPC3X	85	30	8	41	15.5			
4	ISC4X	M 12 × 100	ASC4X	85	112	M 12	17	SPC4X	115	45	10	69	17.5	USC4X	15	28
5	ISC5X	M 16 × 130	ASC5X	110	146	M 16	21	SPC5X	152	60	10	97	21.5	USC5X	18	32
6	ISC6X	M 20 × 190	ASC6X	155	206	M 20	27	SPC6X	205	80	15	137	27.5	USC6X	21	36
7	ISC7X	M 24 × 220	ASC7X	185	245	M 24	30	SPC7X	250	90	15	169	30.5	USC7X	25	42
8	ISC8X	M 30 × 300	ASC8X	250	330	M 30	36	SPC8X	320	120	25	219	36.5	USC8X	32	52

¹⁾ The use of stacking screws necessitates the use of locking plates in the construction assembly!

²⁾ When assembling solid rubber clamps, covering plates, hexagon screws and locking washers must be used. Metal parts also available in stainless steel.

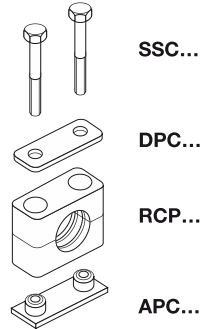
Tube clamps

Tube clamps series C – Complete range

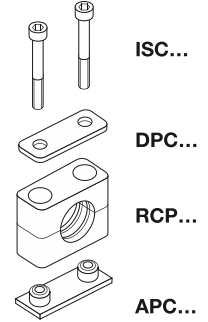
Polypropylene – **RCP**
 Inside smooth – **RCPG¹⁾**
 Polyamide 6 – **RCN**
 Rubber – **RCVR***
 Aluminium – **RCA**

(As required please exchange standard abbreviation
 RCP in column for "Order code")

2 clamp halves, weld plate,
 cover plate, hex. head bolt



2 clamp halves, weld plate,
 cover plate, socket head bolt



clamp size	Tube O.D. mm	Tube NB	Tube O.D.	Order code	Order code	
1	6.0	G 1/8	5/16	RCP1-106	RCP2-106	
	8.0			RCP1-108	RCP2-108	
	10.0			RCP1-110	RCP2-110	
	12.0	G 1/4	1/2	RCP1-112	RCP2-112	
	12.7			RCP1-112.7	RCP2-112.7	
	13.5			RCP1-113.5	RCP2-113.5	
	14.0			RCP1-114	RCP2-114	
	15.0	G 3/8	5/8	RCP1-115	RCP2-115	
	16.0			RCP1-116	RCP2-116	
	17.2			RCP1-117.2	RCP2-117.2	
18.0	RCP1-118			RCP2-118		
19.0	G 1/2			3/4	RCP1-219	RCP2-219
20.0		RCP1-220	RCP2-220			
21.3		RCP1-221.3	RCP2-221.3			
22.0		RCP1-222	RCP2-222			
23.0		RCP1-223	RCP2-223			
25.0		G 3/4	1		RCP1-225	RCP2-225
26.9					RCP1-226.9	RCP2-226.9
28.0	RCP1-228			RCP2-228		
30.0	RCP1-230	RCP2-230				
3	30.0	G 1	1 1/4	RCP1-330	RCP2-330	
	32.0			RCP1-332	RCP2-332	
	33.7			RCP1-333.7	RCP2-333.7	
	35.0			RCP1-335	RCP2-335	
	38.0			RCP1-338	RCP2-338	
	40.0	G 1 1/4	1 1/2	RCP1-340	RCP2-340	
	42.0			RCP1-342	RCP2-342	
4	38.0	G 1 1/4	1 1/2	RCP1-438	RCP2-438	
	40.0			RCP1-440	RCP2-440	
	42.0			RCP1-442	RCP2-442	
	45.0			RCP1-445	RCP2-445	
	48.3	G 1 1/2	2	RCP1-448.3	RCP2-448.3	
	50.0			RCP1-450	RCP2-450	
	51.0			RCP1-451	RCP2-451	
	52.0	G 2	2 1/4	RCP1-452	RCP2-452	
	55.0			RCP1-455	RCP2-455	
	57.0			RCP1-457	RCP2-457	
	60.3			RCP1-460.3	RCP2-460.3	
	63.0			RCP1-463	RCP2-463	
	65.0			RCP1-465	RCP2-465	
	70.0			RCP1-470	RCP2-470	

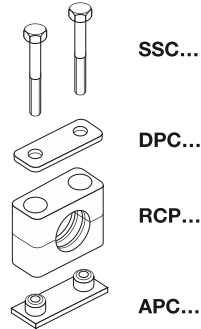
Continuation see next page ...

Tube clamps series C – Complete range (Continued)

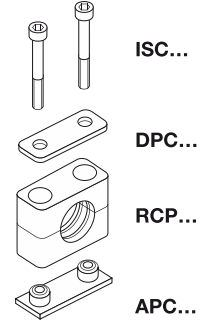
Polypropylene – **RCP**
 Inside smooth – **RCPG¹⁾**
 Polyamide 6 – **RCN**
 Rubber – **RCVR***
 Aluminium – **RCA**

(As required please exchange standard abbreviation
 RCP in column for “Order code”)

2 clamp halves, weld plate,
 cover plate, hex. head bolt



2 clamp halves, weld plate,
 cover plate, socket head bolt



clamp size	Tube O.D. mm	Tube NB	Tube O.D.	Order code	Order code
5	70.0	G 2½	3	RCP1-570	RCP2-570
	73.0			RCP1-573	RCP2-573
	75.0			RCP1-575	RCP2-575
	76.1			RCP1-576.1	RCP2-576.1
	80.0	G 3	3¼	RCP1-580	RCP2-580
	82.5			RCP1-582.5	RCP2-582.5
	88.9			RCP1-588.9	RCP2-588.9
90.0			RCP1-590	RCP2-590	
6	90.0	G 3½	4	RCP1-690	RCP2-690
	97.0			RCP1-697	RCP2-697
	100.0			RCP1-6100	RCP2-6100
	101.6			RCP1-6101.6	RCP2-6101.6
	108.0	G 4	4¼	RCP1-6108	RCP2-6108
	114.3			RCP1-6114.3	RCP2-6114.3
127.0		5	RCP1-6127	RCP2-6127	
7	127.0	G 5	5	RCP1-7127	RCP2-7127
	133.0			RCP1-7133	RCP2-7133
	140.0			RCP1-7140	RCP2-7140
	150.0	G 5½	5½	RCP1-7150	RCP2-7150
	152.4			RCP1-7152.4	RCP2-7152.4
	159.0	G 6	6	RCP1-7159	RCP2-7159
	165.1			RCP1-7165.1	RCP2-7165.1
168.3	RCP1-7168.3			RCP2-7168.3	
8	168.3	G 8	6⅝	RCP1-8168.3	RCP2-8168.3
	177.8		7	RCP1-8177.8	RCP2-8177.8
	193.7		7⅝	RCP1-8193.7	RCP2-8193.7
	203.0			RCP1-8203	RCP2-8203
	219.1		8⅝	RCP1-8219.1	RCP2-8219.1
	220.0				RCP1-8220

Delivery in unassembled individual components.

¹⁾ Only sizes 1–4

* Only with cover plate, hexagon screws and locking washers (only sizes 1–4).

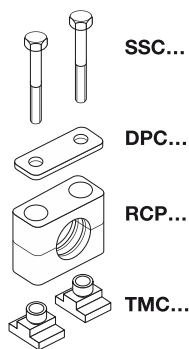
Tube clamps

Tube clamps series C – Complete range

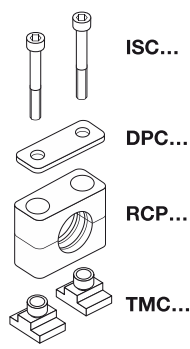
Polypropylene – **RCP**
 Inside smooth – **RCPG¹⁾**
 Polyamide 6 – **RCN**
 Rubber – **RCVR***
 Aluminium – **RCA**

(As required please exchange standard abbreviation
 RCP in column for "Order code")

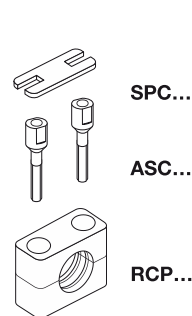
2 clamp halves,
 rail nuts, cover plate,
 hex. head bolts



2 clamp halves,
 rail nuts, cover plate,
 socket head bolts



2 clamp halves,
 locking plate, stacking
 bolts



clamp size	Tube O.D. mm	Tube NB	Tube O.D.	Order code	Order code	Order code			
1	6.0	G 1/8	5/16	RCP3-106	RCP4-106	RCP5-106			
	8.0			RCP3-108	RCP4-108	RCP5-108			
	10.0			RCP3-110	RCP4-110	RCP5-110			
	12.0	G 1/4	1/2	RCP3-112	RCP4-112	RCP5-112			
	12.7			RCP3-112.7	RCP4-112.7	RCP5-112.7			
	13.5			RCP3-113.5	RCP4-113.5	RCP5-113.5			
	14.0			RCP3-114	RCP4-114	RCP5-114			
	15.0			RCP3-115	RCP4-115	RCP5-115			
	16.0	G 3/8	5/8	RCP3-116	RCP4-116	RCP5-116			
	17.2			RCP3-117.2	RCP4-117.2	RCP5-117.2			
18.0	RCP3-118			RCP4-118	RCP5-118				
2	19.0	G 1/2	3/4	RCP3-219	RCP4-219	RCP5-219			
	20.0			RCP3-220	RCP4-220	RCP5-220			
	21.3			RCP3-221.3	RCP4-221.3	RCP5-221.3			
	22.0			RCP3-222	RCP4-222	RCP5-222			
	23.0			RCP3-223	RCP4-223	RCP5-223			
	25.0	G 3/4	1	RCP3-225	RCP4-225	RCP5-225			
	26.9			RCP3-226.9	RCP4-226.9	RCP5-226.9			
	28.0			RCP3-228	RCP4-228	RCP5-228			
	30.0			RCP3-230	RCP4-230	RCP5-230			
	3			30.0	G 1	1 1/4	RCP3-330	RCP4-330	RCP5-330
32.0		RCP3-332	RCP4-332	RCP5-332					
33.7		RCP3-333.7	RCP4-333.7	RCP5-333.7					
35.0		RCP3-335	RCP4-335	RCP5-335					
38.0		RCP3-338	RCP4-338	RCP5-338					
40.0		G 1 1/4	1 1/2	RCP3-340	RCP4-340	RCP5-340			
42.0				RCP3-342	RCP4-342	RCP5-342			
4				38.0	G 1 1/4	1 1/2	RCP3-438	RCP4-438	RCP5-438
				40.0			RCP3-440	RCP4-440	RCP5-440
				42.0			RCP3-442	RCP4-442	RCP5-442
	45.0	RCP3-445	RCP4-445	RCP5-445					
	48.3	RCP3-448.3	RCP4-448.3	RCP5-448.3					
	50.0	G 1 1/2	2	RCP3-450	RCP4-450	RCP5-450			
	51.0			RCP3-451	RCP4-451	RCP5-451			
	52.0			RCP3-452	RCP4-452	RCP5-452			
	55.0			RCP3-455	RCP4-455	RCP5-455			
	57.0			RCP3-457	RCP4-457	RCP5-457			
60.3	G 2	2 1/4	RCP3-460.3	RCP4-460.3	RCP5-460.3				
63.0			RCP3-463	RCP4-463	RCP5-463				
65.0			RCP3-465	RCP4-465	RCP5-465				
70.0			RCP3-470	RCP4-470	RCP5-470				

Continuation see next page ...

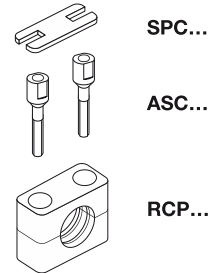


Tube clamps series C – Complete range (Continued)

Polypropylene – **RCP**
 Inside smooth – **RCPG¹⁾**
 Polyamide 6 – **RCN**
 Rubber – **RCVR***
 Aluminium – **RCA**

(As required please exchange standard abbreviation RCP in column for “Order code”)

2 clamp halves, locking plate, stacking bolts



clamp size	Tube O.D. mm	Tube NB	Tube O.D.	Order code	
5	70.0	G 2½	3	RCP5-570	
	73.0			RCP5-573	
	75.0			RCP5-575	
	76.1			RCP5-576.1	
	80.0	G 3	3¼	RCP5-580	
	82.5			RCP5-582.5	
	88.9			RCP5-588.9	
90.0			RCP5-590		
6	90.0	G 3½	4	RCP5-690	
	97.0			RCP5-697	
	100.0			RCP5-6100	
	101.6	G 4	4¼	RCP5-6101.6	
	108.0			RCP5-6108	
	114.3			RCP5-6114.3	
127.0		5	RCP5-6127		
7	127.0	G 5	5	RCP5-7127	
	133.0			RCP5-7133	
	140.0			RCP5-7140	
	150.0	G 5½	6	RCP5-7150	
	152.4			RCP5-7152.4	
	159.0			RCP5-7159	
	165.1	G 6	6½	RCP5-7165.1	
168.3	RCP5-7168.3				
8	168.3	G 8	6⅝	RCP5-8168.3	
	177.8		7	RCP5-8177.8	
	193.7		7⅝	RCP5-8193.7	
	203.0		8⅝		RCP5-8203
	219.1				RCP5-8219.1
	220.0				RCP5-8220

Delivery in unassembled individual components.

¹⁾ Only sizes 1–4

* Only with cover plate, hexagon screws and locking washers (only sizes 1–4).

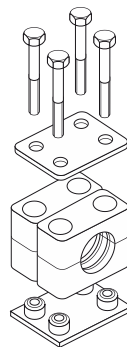
Tube clamps

Tube clamps series C – Complete range

Polypropylene – **RCPD**
 Inside smooth – **RCPDG¹⁾**
 Polyamide 6 – **RCND**
 Rubber – **RCVDR***
 Aluminium – **RCAD**

(As required please exchange standard abbreviation
 RCP in column for "Order code")

4 clamp halves, double weld plate,
 double cover plate, hex. head bolts



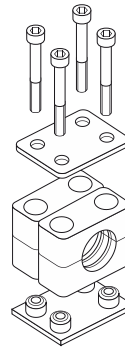
SSC...

DPDC...

RCPD...
 (=2XRCP...)

APDC...

4 clamp halves, double weld
 plate, double cover plate, socket
 head bolts



ISC...

DPDC...

RCPD...
 (=2XRCP...)

APDC...

clamp size	Tube O.D. mm	Tube NB	Tube O.D.	Order code	Order code
1	6.0	G 1/8	5/16	RCPD1-106	RCPD2-106
	8.0			RCPD1-108	RCPD2-108
	10.0			RCPD1-110	RCPD2-110
	12.0	G 1/4	1/2	RCPD1-112	RCPD2-112
	12.7			RCPD1-112.7	RCPD2-112.7
	13.5			RCPD1-113.5	RCPD2-113.5
	14.0			RCPD1-114	RCPD2-114
	15.0	G 3/8	5/8	RCPD1-115	RCPD2-115
	16.0			RCPD1-116	RCPD2-116
	17.2			RCPD1-117.2	RCPD2-117.2
18.0	RCPD1-118			RCPD2-118	
2	19.0			G 1/2	3/4
	20.0	RCPD1-220	RCPD2-220		
	21.3	RCPD1-221.3	RCPD2-221.3		
	22.0	RCPD1-222	RCPD2-222		
	23.0	G 3/4	1	RCPD1-223	RCPD2-223
	25.0			RCPD1-225	RCPD2-225
	26.9			RCPD1-226.9	RCPD2-226.9
	28.0			RCPD1-228	RCPD2-228
	30.0			RCPD1-230	RCPD2-230
	3			30.0	G 1
32.0		RCPD1-332	RCPD2-332		
33.7		RCPD1-333.7	RCPD2-333.7		
35.0		RCPD1-335	RCPD2-335		
38.0		G 1 1/4	1 1/2	RCPD1-338	RCPD2-338
40.0				RCPD1-340	RCPD2-340
42.0				RCPD1-342	RCPD2-342
4	38.0	G 1 1/4	1 1/2	RCPD1-438	RCPD2-438
	40.0			RCPD1-440	RCPD2-440
	42.0			RCPD1-442	RCPD2-442
	45.0			RCPD1-445	RCPD2-445
	48.3	G 1 1/2	2	RCPD1-448.3	RCPD2-448.3
	50.0			RCPD1-450	RCPD2-450
	51.0			RCPD1-451	RCPD2-451
	52.0	G 2	2 1/4	RCPD1-452	RCPD2-452
	55.0			RCPD1-455	RCPD2-455
	57.0			RCPD1-457	RCPD2-457
	60.3			RCPD1-460.3	RCPD2-460.3
	63.0			RCPD1-463	RCPD2-463
	65.0			RCPD1-465	RCPD2-465
	70.0	RCPD1-470	RCPD2-470		

Continuation see next page ...

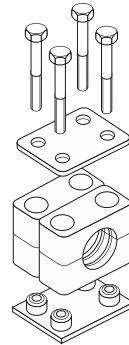


Tube clamps series C – Complete range (Continued)

Polypropylene – **RCPD**
 Inside smooth – **RCPDG¹⁾**
 Polyamide 6 – **RCND**
 Rubber – **RCVDR***
 Aluminium – **RCAD**

(As required please exchange standard abbreviation RCP in column for “Order code”)

4 clamp halves, double weld plate, double cover plate, hex. head bolts



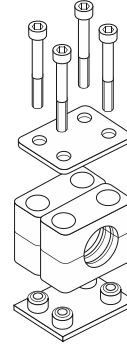
SSC...

DPDC...

RCPD...
(=2XRCP...)

APDC...

4 clamp halves, double weld plate, double cover plate, socket head bolts



ISC...

DPDC...

RCPD...
(=2XRCP...)

APDC...

clamp size	Tube O.D. mm	Tube NB	Tube O.D.	Order code	Order code
5	70.0	G 2½	3	RCPD1-570	RCPD2-570
	73.0			RCPD1-573	RCPD2-573
	75.0			RCPD1-575	RCPD2-575
	76.1			RCPD1-576.1	RCPD2-576.1
	80.0	G 3	3¼	RCPD1-580	RCPD2-580
	82.5			RCPD1-582.5	RCPD2-582.5
	88.9			RCPD1-588.9	RCPD2-588.9
90.0			RCPD1-590	RCPD2-590	
6	90.0	G 3½	4	RCPD1-690	RCPD2-690
	97.0			RCPD1-697	RCPD2-697
	100.0			RCPD1-6100	RCPD2-6100
	101.6	G 4	4¼	RCPD1-6101.6	RCPD2-6101.6
	108.0			RCPD1-6108	RCPD2-6108
	114.3			RCPD1-6114.3	RCPD2-6114.3
127.0		5	RCPD1-6127	RCPD2-6127	
7	127.0	G 5	5	RCPD1-7127	RCPD2-7127
	133.0			RCPD1-7133	RCPD2-7133
	140.0			RCPD1-7140	RCPD2-7140
	150.0	G 5½	5½	RCPD1-7150	RCPD2-7150
	152.4			RCPD1-7152.4	RCPD2-7152.4
	159.0			RCPD1-7159	RCPD2-7159
	165.1	G 6	6¼	RCPD1-7165.1	RCPD2-7165.1
168.3	RCPD1-7168.3			RCPD2-7168.3	
8	168.3	G 8	6⅝	RCPD1-8168.3	RCPD2-8168.3
	177.8		7	RCPD1-8177.8	RCPD2-8177.8
	193.7		7⅝	RCPD1-8193.7	RCPD2-8193.7
	203.0		8⅝	RCPD1-8203	RCPD2-8203
	219.1			RCPD1-8219.1	RCPD2-8219.1
	220.0			RCPD1-8220	RCPD2-8220

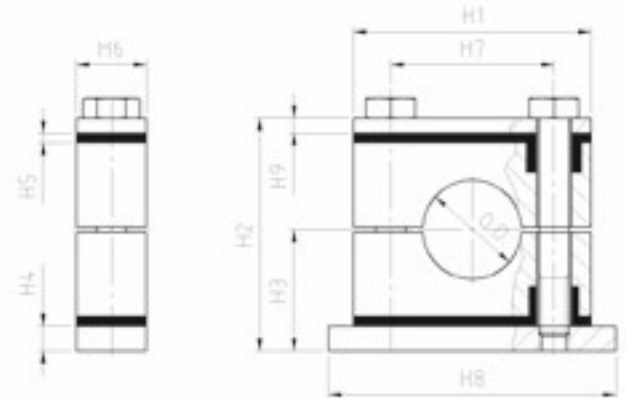
Delivery in unassembled individual components.

¹⁾ Only sizes 1–4

* Only with cover plate, hexagon screws and locking washers (only sizes 1–4).

Tube clamps

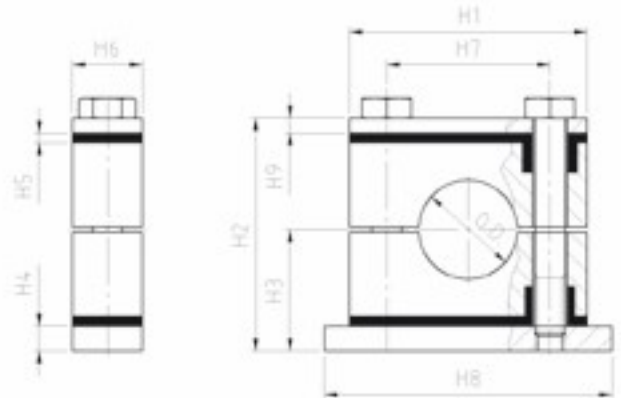
Tube clamp series C with absorbing noise insert



Clamp size	Tube O.D.mm	Absorbing plate	Weld plate	Bolt ISO 4014	H1	H2	H3	H4	H5	H6	H7	H8	H9
1	6.0	DPEC1X	APCD1X	M10X65	55	69	38	15	7	30	33	70	8
	8.0												
	9.5												
	10.0												
	12.0												
	12.7												
	13.5												
	14.0												
	15.0												
	16.0												
17.2													
18.0													
2	19.0	DPEC2X	APCD2X	M10X80	70	85	46	15	7	30	45	85	8
	20.0												
	21.3												
	22.0												
	23.0												
	25.0												
	26.9												
	28.0												
30.0													
3	30.0	DPEC3X	APCD3X	M10X90	85	97	52	15	7	30	60	100	8
	32.0												
	33.7												
	35.0												
	38.0												
	40.0												
42.0													
4	38.0	DPEC4X	APCD4X	M12X130	115	134	72	20	7	45	90	140	10
	40.0												
	42.0												
	45.0												
	48.3												
	50.0												
	51.0												
	52.0												
	54.0												
	55.0												
	57.0												
	60.3												
	63.5												
	65.0												
70.0													



Tube clamp series C with absorbing noise insert



Clamp size	Tube O.D.mm	Absorbing plate	Weld plate	Bolt ISO 4014	H1	H2	H3	H4	H5	H6	H7	H8	H9
5	70.0	DPEC5X	APCD5X	M16X160	152	165	90	25	7	60	122	180	10
	73.0												
	75.0												
	76.1												
	80.0												
	82.5												
	88.9												
90.0													
6	90.0	DPEC6X	APCD6X	M20X230	205	237	126	30	11	80	168	228	15
	97.0												
	100.0												
	101.6												
	108.0												
	114.3												
	127.0												
7	127.0	DPEC7X	APCD7X	M24X260	250	287	161	50	11	90	205	270	15
	130.0												
	133.0												
	140.0												
	141.3												
	150.0												
	152.4												
	159.0												
	165.1												
	168.3												
8	168.3	DPEC8X	APCD8X	M30X360	322	407	231	80	16	120	265	340	25
	177.8												
	193.7												
	203.0												
	219.1												
	220.0												